

Bernette®

715

730

740 E



Instruction Manual

Livret d'instruction

Handleiding

Congratulations on the purchase of your new sewing machine!

You have bought a quality product which was manufactured with care and attention. Your sewing machine is easy to use but this instruction book has been written to help you get the most out of your machine. We suggest you read it before starting to sew.

You will no doubt have questions now and then for which you cannot find an answer in this book. Your dealer is always on hand to help with advice and tips.

We wish you many hours of sewing pleasure.

Nous vous félicitons d'avoir acquis votre nouvelle machine à coudre!

Vous avez, en effet, opté pour un produit de qualité qui a été fabriqué avec le plus grand soin. Votre machine à coudre est facile à utiliser, mais il faut, naturellement suivre les règles du jeu. Nous les avons rassemblées pour vous dans ce livret d'instructions. Si vous les respectez, vous réussirez, dès le commencement ce que vous entreprenez.

Sûrement, en tant que créatrice de mode pour la famille, vous aurez, de temps à autre, des questions auxquelles nous n'avons pas répondu entièrement dans ce livret. Alors, il vous suffit de demander à votre agent. Il sera toujours là pour vous.

Maintenant, nous vous souhaitons bien du plaisir durant vos loisirs pour l'habillement. Avec votre machine, donnez libre cours à votre imagination.

Hartelijk gefeliciteerd met de aankoop van uw nieuwe naaimachine!

U heeft een kwaliteitsprodukt gekocht dat met veel zorgvuldigheid werd vervaardigd. Uw naaimachine is eenvoudig te bedienen en deze handleiding helpt u om alle mogelijkheden van uw machine te ontdekken. Lees deze aandachtig door voordat u met het naaien begint.

Af en toe zult u wel eens een vraag hebben die dit boek niet kan beantwoorden. Uw Bernette vakhandelaar is dan altijd graag bereid om u advies en tips te geven.

Wij wensen u veel plezier bij het naaien.

© 1992 Fritz Gegauf Ltd.
Bernina Sewing Machines
CH-8266 Steckborn (Switzerland)

We reserve the right to make technical changes in
the interest of progress.

© 1992 Fritz Gegauf SA
Fabrique de machines à coudre Bernina
CH-8266 Steckborn (Suisse)

Sous réserve des modifications apportées dans
l'intérêt du progrès technique.

© 1992 Fritz Gegauf AG
Bernina Naaimachinefabriek
CH-8266 Steckborn (Zwitserland)

Veranderingen in het belang van de technische
voortgang voorbehouden.

List of contents

Accessories	10	Neatening edges	52
Automatic needle stop (Model 740E only)	20	Needle - inserting	28
Automatic needle threader (Model 740E only)	36	Needle positions	44
Blind hem/lingerie stitch	78	Needle/thread table	30
Bobbin - inserting	26	Overlock stitches	56, 58
Bobbin - tension	26	Practical stitches	66, 68, 70
Bobbin - winding	24	Presser foot - removing	22
Bringing up the lower thread	38, 40	Presser foot - attaching	22
Bulb - changing	18	Presser foot lifter	13
Buttons - sewing on (Model 740E only)	84	Reverse sewing	42
Buttonholes	76	Safety regulations	5
Colour code green and blue	48	Smocking stitch	64
Colour code red and yellow	48	Speed control	14
Connecting the machine	14, 16	Stitch selection	60, 62
Cording foot (Model 740E only)	88	Stitch table	12
Darning	80	Straight stitch/zig-zag	50
Decorative stitches (Model 740E only)	72, 74	Tension - upper thread	34
Details of the machine	6, 8	Tension - lower thread	26
Feed dog - lowering	20	Threading - upper thread	32
Foot control	14, 16	Three-step zig-zag	54
Hemmer foot	86	Triple straight stitch/zig-zag	60, 62
Inserting the needle	28	Trouble shooting guide	92
Inserting the seam guide	14	Twin needle (Model 740E only)	44
LED display	48	Zips - sewing in	82
Light	14, 16		
Maintenance	90		

IMPORTANT SAFETY INSTRUCTIONS

When using an electrical appliance, basic safety precautions should always be followed, including the following:

Read all instructions before using this sewing machine.

DANGER

To reduce the risk of electric shock:

1. An appliance should never be left unattended when plugged in.
2. Always unplug this appliance from the electric outlet immediately after using and before cleaning.
3. Always unplug before relamping. Replace bulb with same type rated 15 Watts.

WARNING

To reduce the risk of burns, fire, electric shock, or injury to persons:

1. Do not allow to be used as a toy. Close attention is necessary when this appliance is used by or near children.
2. Use this appliance only for its intended use as described in this manual. Use only attachments recommended by the manufacturer as contained in this manual.

3. Never operate this appliance if it has a damaged cord or plug, if it is not working properly, if it has been dropped or damaged, or dropped into water. Return the appliance to the nearest authorized dealer or service center for examination, repair, electrical or mechanical adjustment.
4. Never operate the appliance with any air openings block. Keep ventilation openings of the sewing machine and foot controller free from accumulation of lint, dust, and loose cloth.
5. Keep fingers away from all moving parts. Special care is required around the sewing machine needle.
6. Always use the proper needle plate. The wrong plate can cause the needle to break.
7. Do not use bent needles.
8. Do not pull or push fabric while stitching. It may deflect the needle causing it to break.
9. Switch the sewing machine off ("0") when making any adjustments in the needle area, such as threading needle, changing needle, threading bobbin, or changing presser foot, and the like.
10. Always unplug sewing machine from the electrical outlet when removing covers, lubricating, or when making an other user servicing adjustments mentioned in the instruction manual.

11. Never drop or insert any object into any opening.
12. Do not use outdoors.
13. Do not operate where aerosol (spray) products are being used or where oxygen is being administered.
14. To disconnect, turn all controls to the off ("0") position, then remove plug from outlet.
15. Do not unplug by pulling on cord. To unplug, grasp the plug, not the cord.
16. This appliance is provided with double insulation. Use only identical replacement parts. See instructions for Servicing of Double-Insulated Appliances. (except USA/Canada)

Servicing of Double-Insulated Products

17. In a double-insulated product, two systems of insulation are provided instead of grounding. No grounding means is provided on a double-insulated product, nor should a means for grounding be added to the product. Servicing of a double-insulated product requires extreme care and knowledge of the system, and should be done only by qualified service personnel. Replacement parts for a double-insulated product must be identical to those parts in the product. A double-insulated product is marked with the words "**DOUBLE INSULATION**" or "**DOUBLE INSULATED**".

The symbol  may also be marked on the product.

SAVE THESE INSTRUCTIONS

This sewing machine is intended for household use only.

Consignes de sécurité

Les consignes de sécurité énumérées ci-après doivent être impérativement respectées:

Dès qu'elle est en mouvement, l'aiguille est source de danger (risque de blessure pour les doigts). Il convient donc d'observer en permanence l'emplacement où s'effectue la couture.

Toute manipulation dans la zone d'action de l'aiguille (remplacement de l'aiguille, du pied-de-biche, de la plaque à aiguille ou mise en route du dispositif automatique d'enfilage) ne doit s'effectuer que lorsque la machine est débranchée (interrupteur principal sur "0").

Pour tous les travaux d'entretien (nettoyage et huilage), ainsi que pour le remplacement de l'ampoule, il convient de débrancher la machine en retirant la fiche de la prise électrique. Procéder de même lors d'interruptions ou à la fin d'un travail.

Ne jamais intervenir dans la partie électrique de la machine, notamment pour le remplacement du raccordement de la pédale de commande. Ce type de travail doit être confié à un technicien du service après-vente.

Veiligheidsvoorschriften

De navolgende veiligheidsvoorschriften dienen absoluut in acht te worden genomen:

De bewegende naald is een gevaar voor uw vingers. Het naaloppervlak dient dan ook steeds in het oog te worden gehouden.

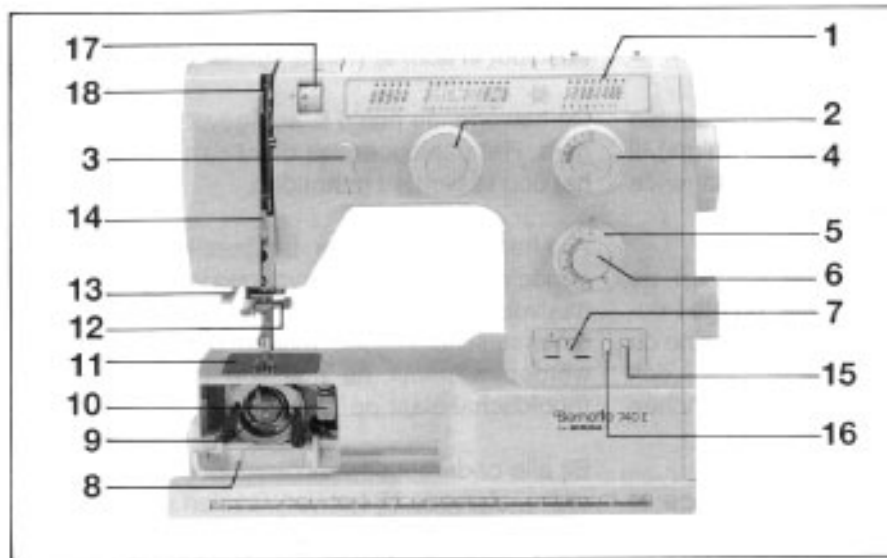
Alle handelingen binnen het bereik van de bewegende naald, bijv. het vervangen van de naald, de naaivoet, de steekplaat of het bedienen van de automatische inrijger, mogen alleen uitgevoerd worden wanneer de machine uitgeschakeld is (hoofdschakelaar op "0" zetten).

Bij alle onderhoudswerkzaamheden (reinigen en oliën), alsmede bij het verwisselen van het gloeilampje dient de naaimachine uitgeschakeld te worden door middel van de stekker uit het stopcontact te trekken. De machine dient eveneens bij onderbreking en na beëindiging van het naaiwerk uitgeschakeld te worden door de stekker uit het stopcontact te verwijderen.

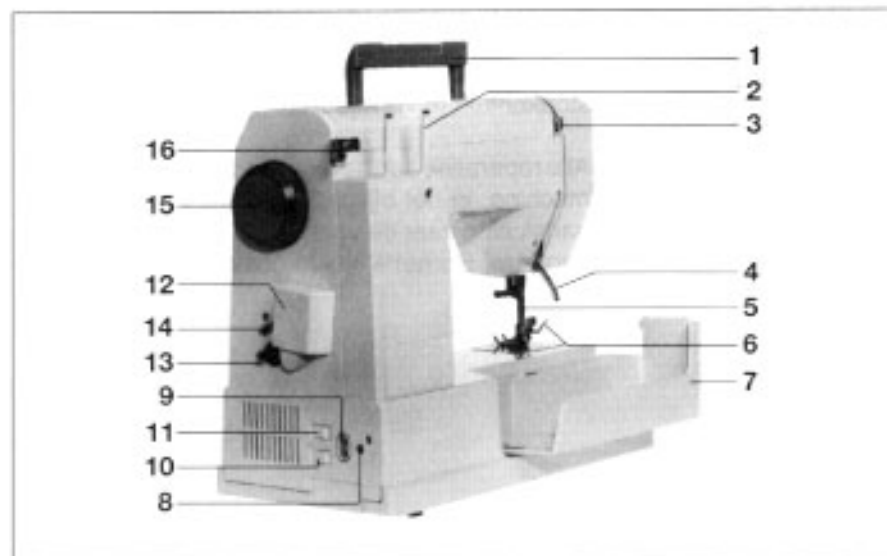
Alle reparaties aan het elektrische gedeelte van de machine, in het bijzonder het vervangen van de aansluiting naar de voetweerstand, mogen alleen door uw Bernette vakhandelaar worden uitgevoerd.

Details of the machine

(Models 740E/730)

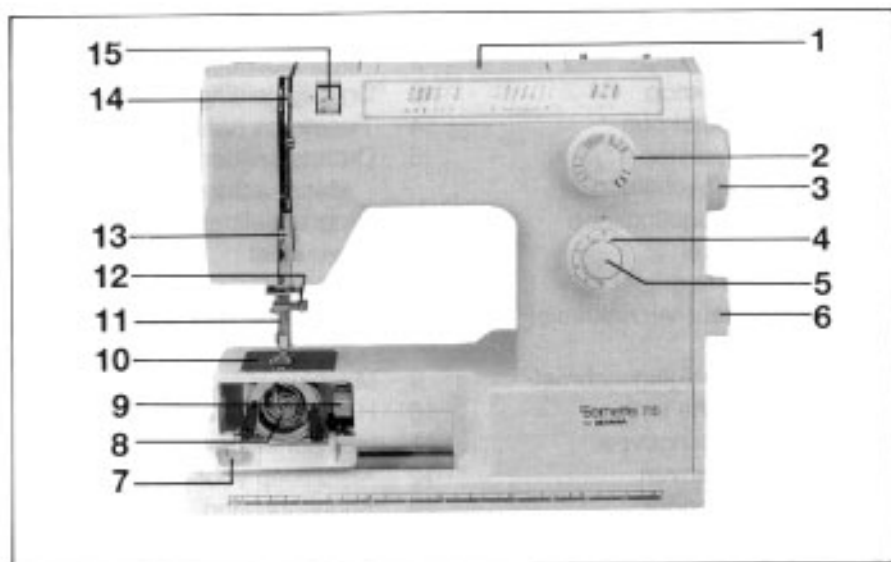


- | | | | |
|----|---------------------------|----|--|
| 1 | LED display | 1 | Carrying handle |
| 2 | Stitch selection dial | 2 | Spool holder pins |
| 3 | Needle position knob | 3 | Thread guide |
| 4 | Stitch width dial | 4 | Two-step presser foot lifter |
| 5 | Stitch length dial | 5 | Thread cutter on presser foot holder |
| 6 | Reverse sewing button | 6 | Presser foot release |
| 7 | Speed adjustment knob | 7 | Extension table and open accessory box |
| 8 | Hinged bobbin cover | 8 | Foot control socket |
| 9 | Bobbin case | 9 | Main plug socket |
| 10 | Drop feed control | 10 | Power switch |
| 11 | Stitch plate | 11 | Light switch |
| 12 | Needle clamp screw | 12 | Bobbin winder cover |
| 13 | Automatic needle threader | 13 | Bobbin winder |
| 14 | Thread take-up spring | 14 | Bobbin winder thread cutter |
| 15 | Needle stop up | 15 | Handwheel |
| 16 | Needle stop down | 16 | Bobbin thread guide |
| 17 | Thread tension control | | |
| 18 | Thread take-up lever | | |



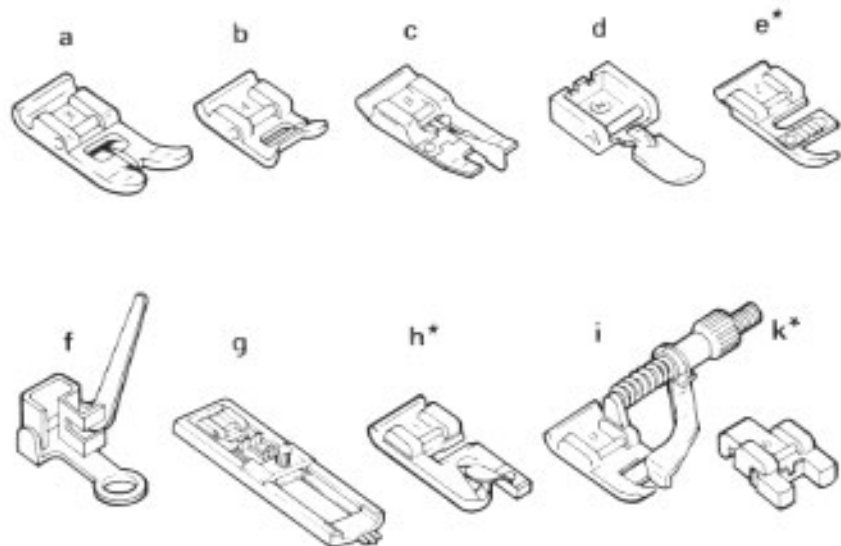
Details of the machine

(Model 715)



- 1 Carrying handle
- 2 Stitch selection dial
- 3 Handwheel
- 4 Stitch length dial
- 5 Reverse sewing button
- 6 Bobbin winder cover
- 7 Hinged bobbin cover
- 8 Bobbin case
- 9 Drop feed control
- 10 Stitch plate
- 11 Thread cutter on presser foot holder
- 12 Needle clamp screw
- 13 Thread take-up spring
- 14 Thread take-up
- 15 Thread tension control

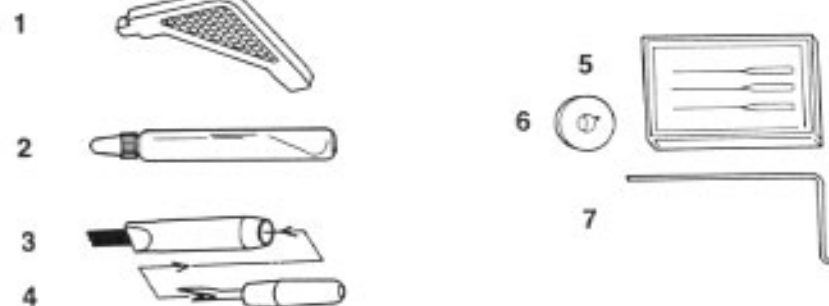
Accessories



- a General purpose foot No. 3
- b Embroidery foot No. 4
- c Overlock foot No. 8
- d Zipper foot No. N
- e* Cording foot No. 2
- f Darning foot
- g Buttonhole foot
- h* Hemmer No. 1
- i Blind hem foot No. 9
- k* Button sewing foot No. 6

We recommend the use of these specially designed presser feet for perfect results.

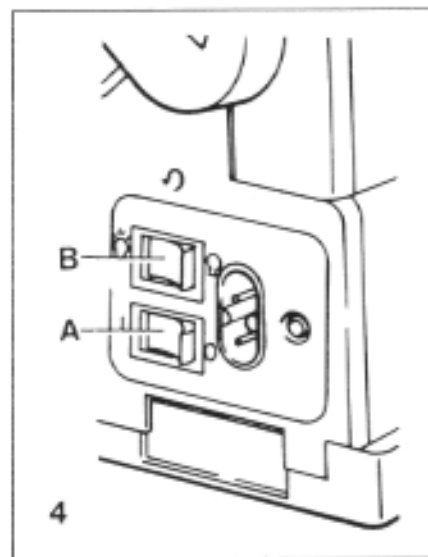
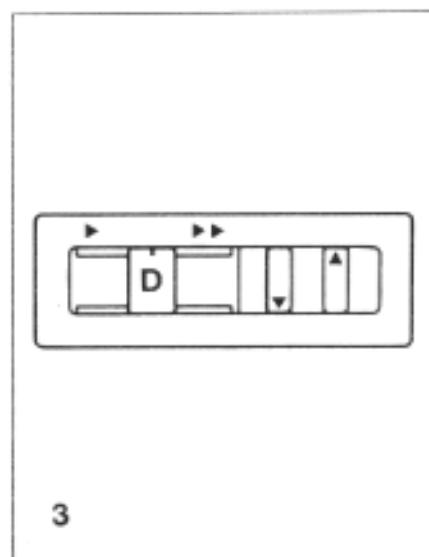
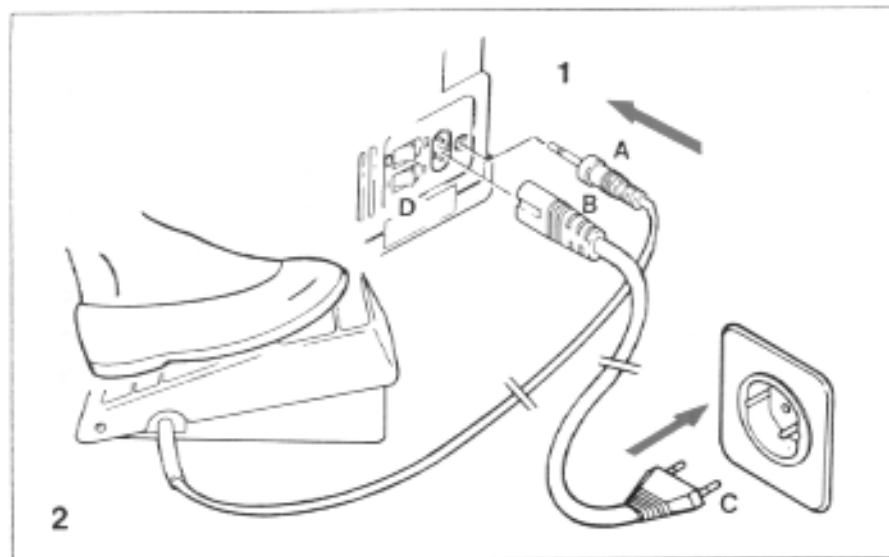
* These 3 presser feet are not supplied with Models 715 and 730. They are however available as special accessories from your local dealer.



- 1 Large screwdriver
- 2 Oiler
- 3 Cleaning brush
- 4 Seam ripper
- 5 Needles (3x)
- 6 Bobbins (3x)
- 7 Seam guide

Stitch choice for each model

Stitch	715	730	740E
 Buttonhole	●	●	●
 Straight stitch	●	●	●
 Triple straight stitch	●	●	●
 Zig-zag	●	●	●
 Triple zig-zag	●	●	●
 3-Step zig-zag	●	●	●
 Smocking stitch		●	●
 Shell hem	●	●	●
 Rampart			●
 Double overlock			●
 Stretch Blindhem	●	●	●
 Double arrow			●
 Blindhem/lingerie	●	●	●
 Single overlock	●	●	●
 Elastic overlock		●	●
 Stretch overlock		●	
 Standard overlock			●
 Bridging		●	●
 Feather stitch		●	
 Ribbon			●
 Scallop			●
 Double scallop			●
 Triangle long			●
 Square stitch			●
 Cross stitch			●
 Diamond stitch			●



Connecting the machine to the power source

(Model 740E)

Connect plug "A" and plug "B" to the machine and plug "C" into the mains socket. Turn on power switch "D". (1)

This appliance has a polarized plug (one blade wider than the other).

To reduce the risk of electric shock, this plug is intended to fit in a polarized outlet only one way.

If the plug does not fit fully in the outlet, reverse the plug.

If it still does not fit, contact a qualified electrician to install the proper outlet.

Do not modify the plug in any way.

Caution: The Foot Controller Model 4C-337B is for using with Sewing Machine Model 740E.

Foot control

The speed of the machine can be regulated by applying pressure to the foot control. (2)

Speed control

(Model 740E)

The maximum speed of the machine can be reduced with the speed control knob "D". (3)

The speed control function is particularly useful for intricate work, e.g. sewing corners, matching up patterns etc. and is ideal for beginners.

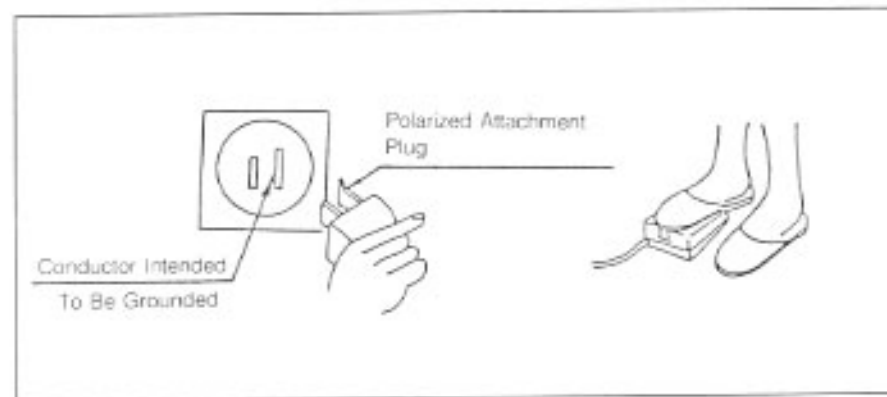
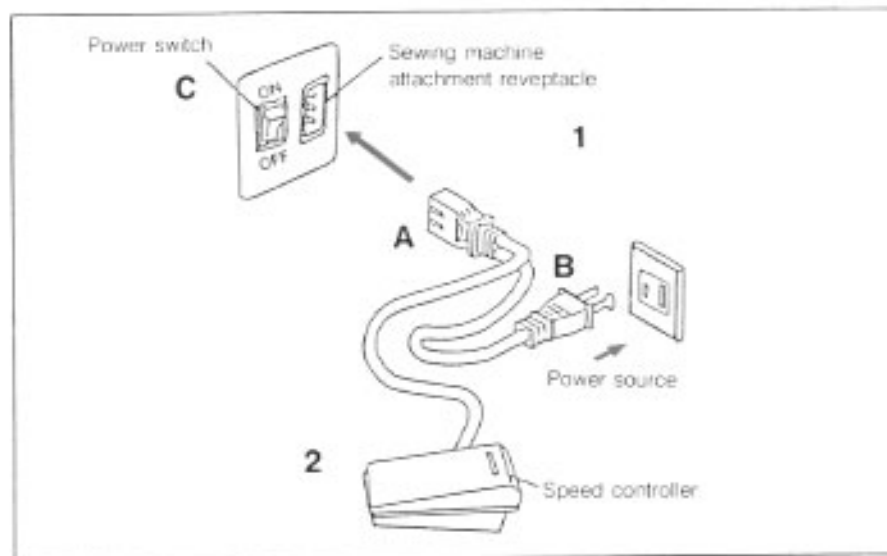
- ▶ minimum
- ▶▶ maximum

Sewing light

(Model 740E)

Press power switch "A". Press light switch "B". (4)

High power, high frequency interference can cause variations in the motor speed of up to 50%. These will disappear however, as soon as the interference stops.



Connecting the machine to the power source

(Models 715, 730)

Connect plug "A" to the machine and plug "B" to the mains socket. Turn on power switch "C". (1)

This appliance has a polarized plug (one blade wider than the other).

To reduce the risk of electric shock, this plug is intended to fit in a polarized outlet only one way.

If the plug does not fit fully in the outlet, reverse the plug.

If it still does not fit, contact a qualified electrician to install the proper outlet.

Do not modify the plug in any way.

Caution: The Foot Controller Model 3C-135B or 4C-316B is for using with Sewing Machine Model 715 and 730A

Foot control

The speed of the machine can be regulated by applying pressure to the foot control. (2)

Sewing light

(Models 715, 730)

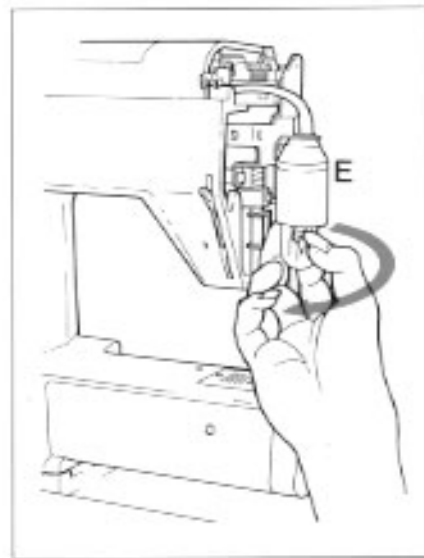
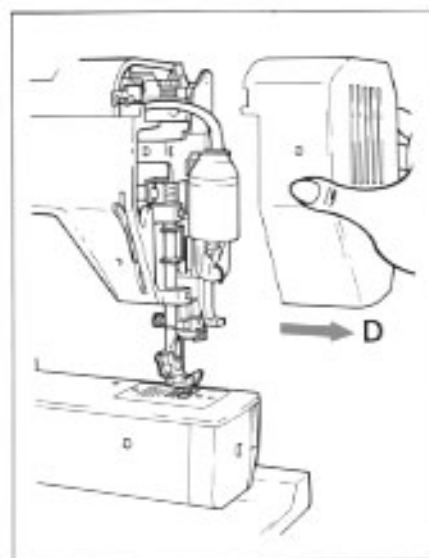
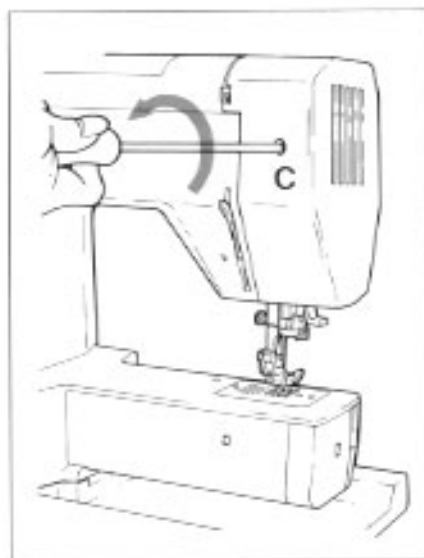
Turn on power switch "C".

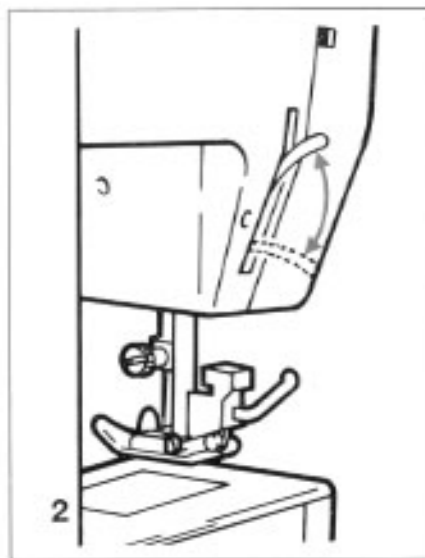
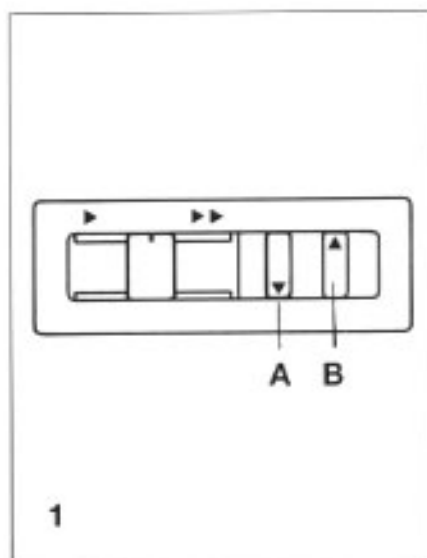
Changing the bulb

Disconnect the machine from the power supply by removing the plug from the mains socket!

- Loosen screw "C" on the back of the head cover.
- Remove the head cover "D".
- Unscrew the bulb "E" and fit new bulb.
- Replace the head cover and tighten screw.

Should there be any problem, ask your local dealer for advice.





Automatic needle stop

(Model 740E only)

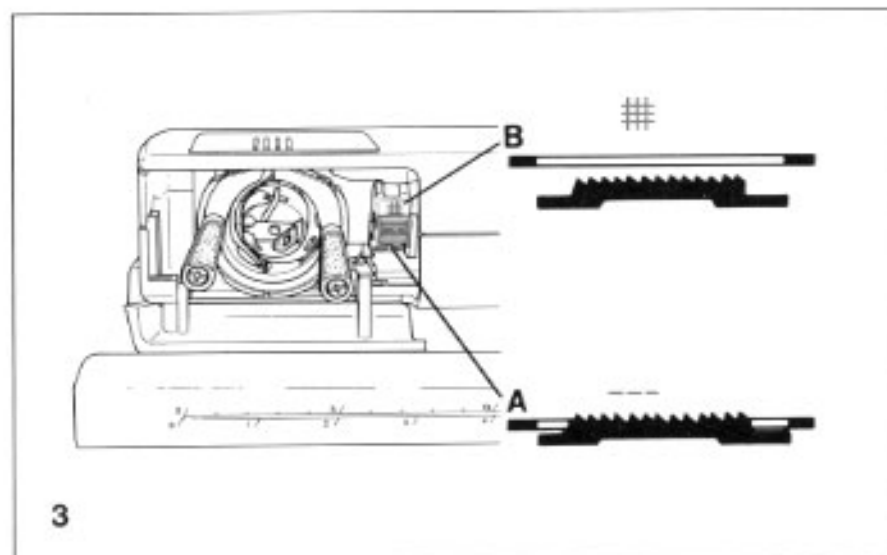
When the machine stops, the needle stops at its highest position. (1)

Certain types of sewing tasks are made easier if the needle is lowered in the fabric, e.g. sewing corners, starting to sew.

- Press button "A" for needle down
- Press button "B" for needle up

Two-step presser foot lever

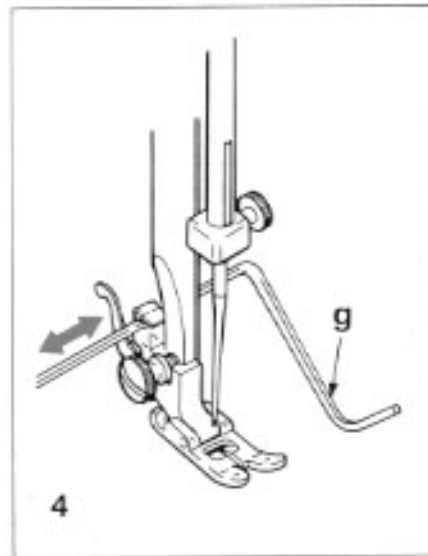
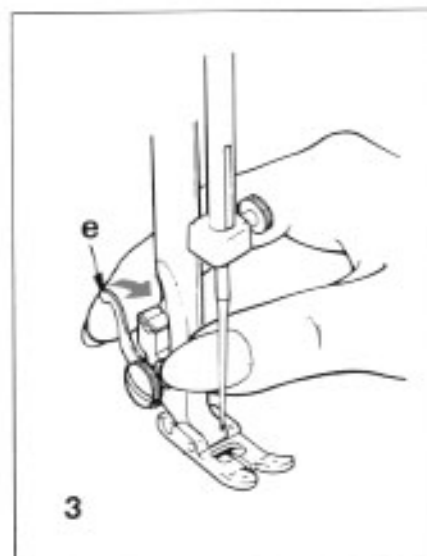
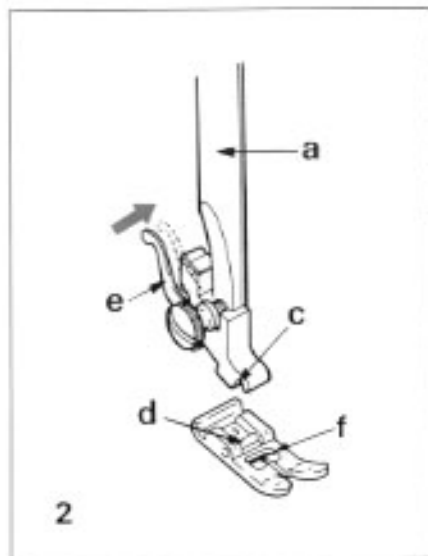
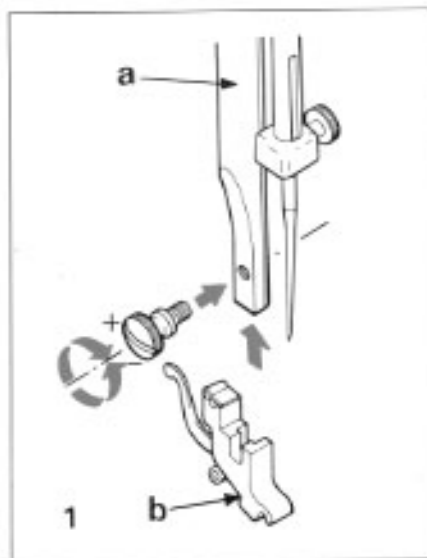
When sewing several layers or thick fabrics, the presser foot can be raised a second stage for easy positioning of the work. (2)



Drop feed control

For normal sewing, the feed-dog should be in the raised position. Press "A". (3)

For certain types of work, e.g. darning or free-hand embroidery, the feed dog must be lowered. Press "B".



Attaching the presser foot holder

Raise the presser foot clamp "a". (1)
Attach the presser foot holder "b" as illustrated.

Attaching the presser foot

Lower the presser foot holder "a" until the cut-out "c" is directly above the pin "d". (2)
Raise the lever "e".
Lower the presser foot holder "a" and the presser foot "f" will engage automatically.

Removing the presser foot

Raise the presser foot. (3)
Raise the lever "e" and the foot disengages.

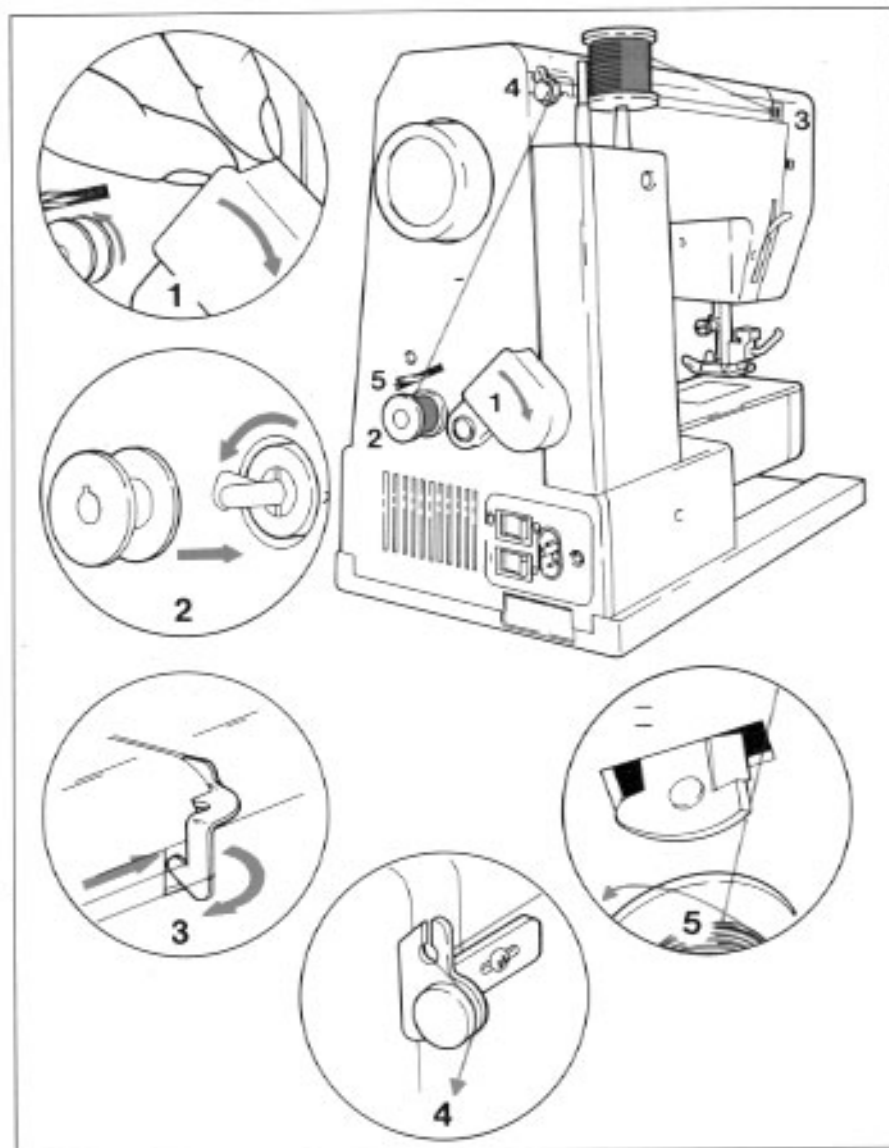
Attaching the seam guide

Attach the seam guide "g" in the slot as illustrated. Adjust according to need for hems, pleats, etc. (4)

Attention:

Turn power switch to "0" when carrying out any of the above operations!

Winding the bobbin



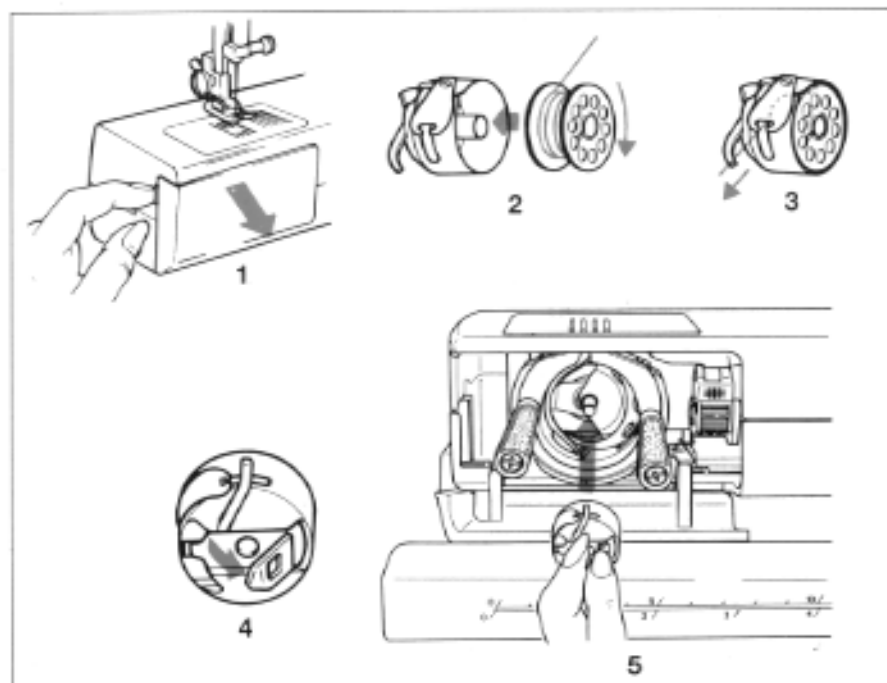
Open the bobbin winder cover. (1)

Place empty bobbin on spindle. Movement of the needle is automatically cut out. (2)

Take the thread from the spool through the guide to the bobbin. (3/4)

Wind thread a few times by hand round the empty bobbin in a clockwise direction. Press the foot control. As soon as the bobbin is full, winding will stop and the thread will be cut automatically. Remove the bobbin and close the bobbin winder case. (5)

Inserting the bobbin



When inserting or removing the bobbin, the needle must be fully raised.

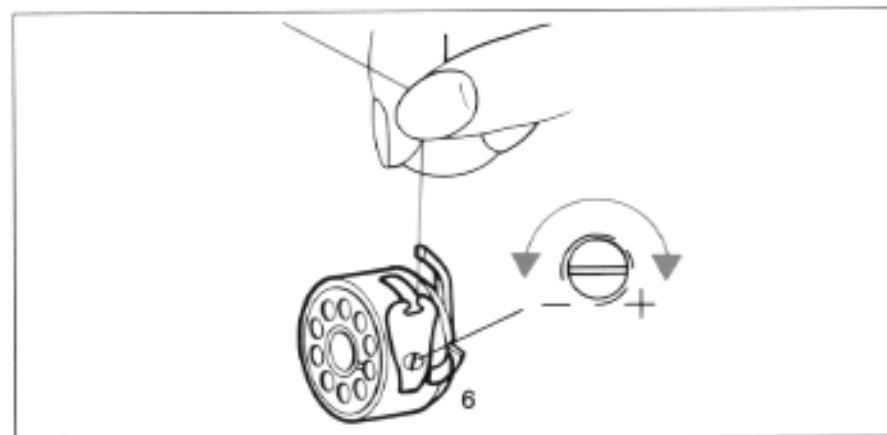
Open the hinged cover. (1)
Hold the bobbin case with one hand. Insert the bobbin so that the thread runs in a clockwise direction (arrow). (2)
Pull the thread through the slit and under the finger. (3)
Hold the bobbin case by the hinged latch. (4)
Insert it into the shuttle. (5)

Note:
The bobbin thread tension does not normally have to be adjusted.

Attention:
Turn power switch to "0".

Bobbin thread tension

To test the bobbin thread tension, remove the bobbin case and bobbin and hold it by suspending it by the thread. Jerk it once or twice. If the tension is correct, the thread will unwind by about an inch or two. If the tension is too tight, it does not unwind at all. If the tension is too loose, it will drop too much. To adjust, turn the small screw on the side of the bobbin case. (6)



Inserting the needle

(System 130/705H)

Change the needle regularly, especially if it is showing signs of wear and causing problems.

Insert the needle as illustrated as follows:

- A Loosen the needle clamp screw and tighten again after inserting the new needle. (1)
- B The flat side of the shaft should be towards the back.
- C/D Insert the needle as far up as it will go.

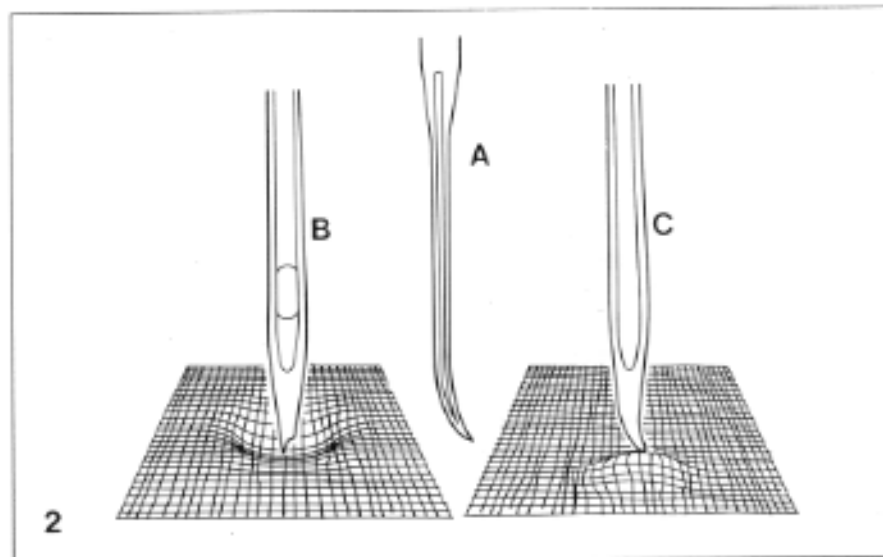
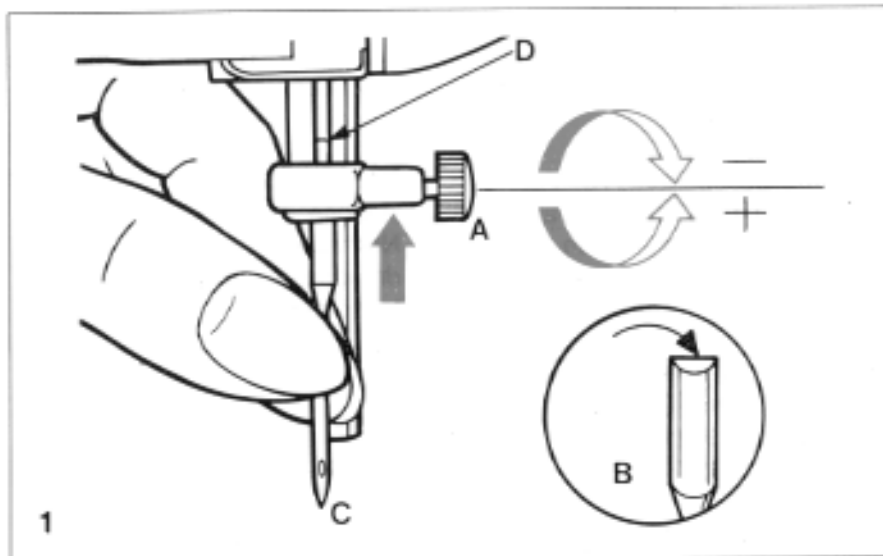
Attention:

Turn power switch to "0"!

Needles must be in perfect condition.
(2)

Problems can occur with:

- A bent needles
- B blunt needles
- C damaged points

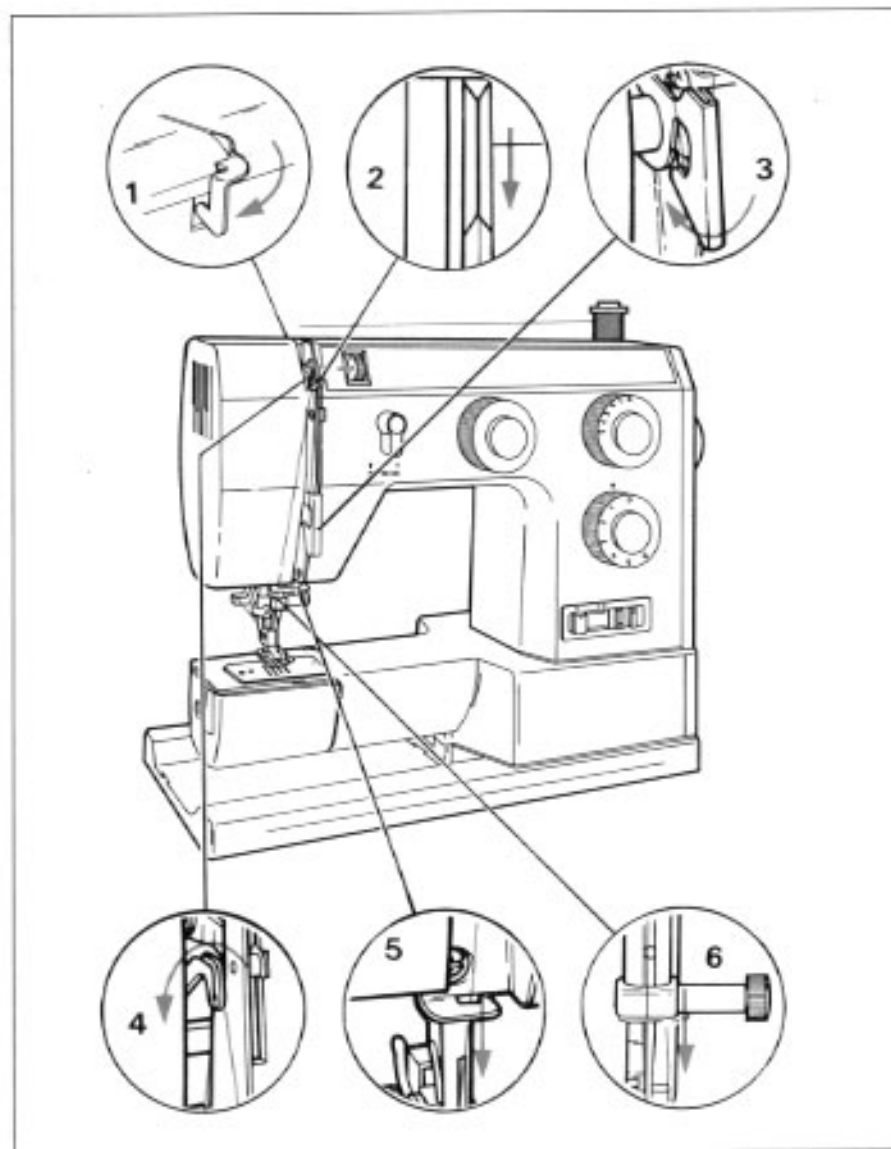


Rule of thumb: The thicker the fabric and the thicker the thread, the higher the count of needle.

Type of fabric	Sewing task	Needle system 130/705H	Type of thread	Type d'étoffe	Travaux de couture
Fine fabric, e.g. Bastiste silk	Seams Topstitching	Universal needle 70	Cotton thread	Etoffes fines p. ex. batiste, soie	coutures surpiqûres
Medium-weight fabric, e.g. cotton	Seams Topstitching	Universal needle 80	Cotton thread Synthetic thread	Etoffes moyennes p. ex. coton, linge	coutures surpiqûres
Thick fabric, corduroy, tweed	Seams Topstitching	Universal needle 90–110	Cotton thread polyester thread	Etoffes épaisses p. ex. velours côtelé, tweed	coutures surpiqûres
Hard, firm fabrics, e.g. denim	Seams Topstitching	Jeans needle 90–110	Jeans thread, polyester thread	Etoffes dures et stables comme les jeans	coutures surpiqûres
Stretch fabrics, e.g. jersey, knits	Seams Topstitching	Stretch needle 80–90 (ball point)	Polyester thread	Etoffes élastiques p. ex. jersey, tricot	coutures surpiqûres
<i>For all types of fabric</i>	Darning, mending, neatening, button- holes, fine embroidery	Universal needle 70–90	Embroidery and darning thread cotton thread	<i>pour tous types d'étoffes</i>	reprisage, rapièçage, surfilage, boutonnères, broderies fines
For fine to medium-weight fabrics	Pintucks Decorative seams	Double needle 70	Cotton thread	Pour types d'étoffes fines à moyennes	couture de nervures coutures décoratives
For thick fabrics	Pintucks Decorative seams	Double needle 80	Embroidery thread Cotton thread Polyester thread	Pour types d'étoffes épaisses	couture de nervures coutures décoratives
Leather, imitation leather	All work	Leather needle 80–100	Polyester thread	Cuir, simili-cuir	tous travaux de couture

Threading the upper thread

Attention: Turn power switch to "0". Raise the needle bar.



- Take the thread through the guide on the back of the machine from right to left, then (1)
- between the thread tension discs and (2)
- from right to left in the thread take-up spring (3)
- up and from right to left through the thread take-up lever (4)
- down through the guides (5/6)

and thread the needle, always from front to back (see next page).

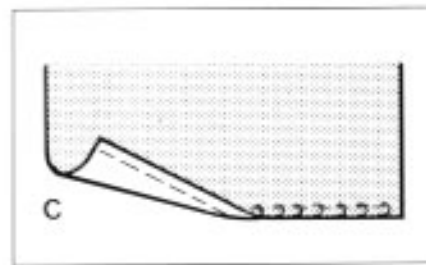
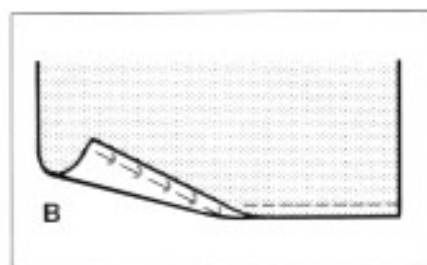
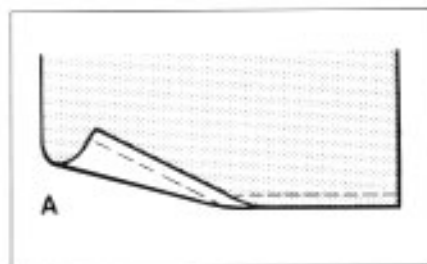
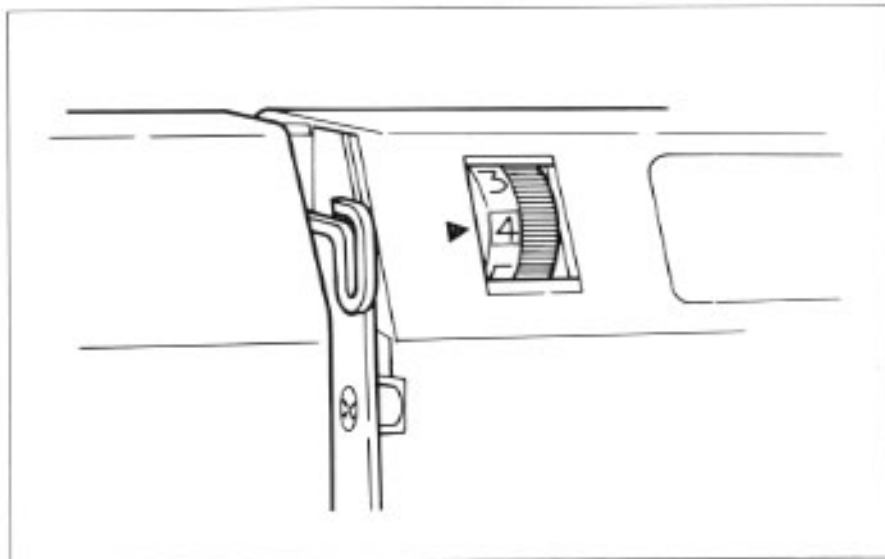
Upper thread tension

Basic thread tension setting: 4

To increase the tension, turn the dial to the next number up.

To reduce the tension, turn the dial to the next number down.

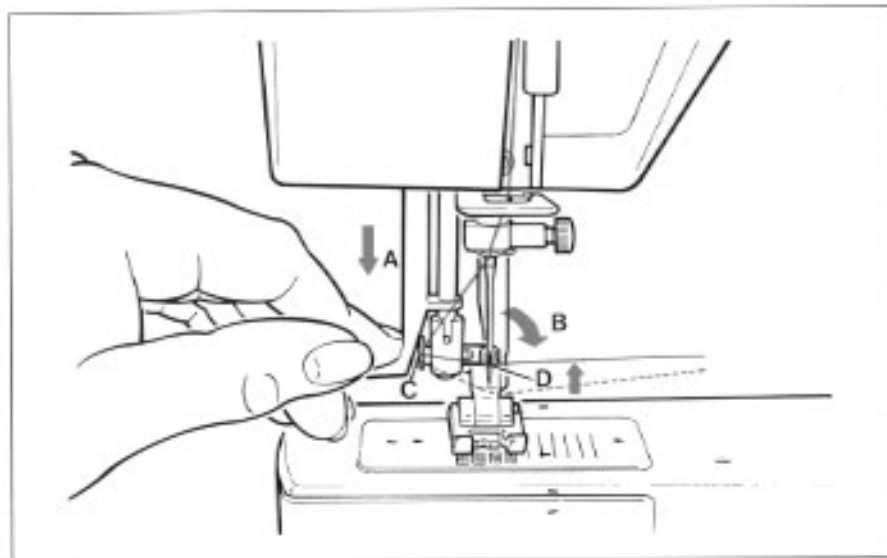
- A Normal thread tension
- B Thread tension too loose
- C Thread tension too tight



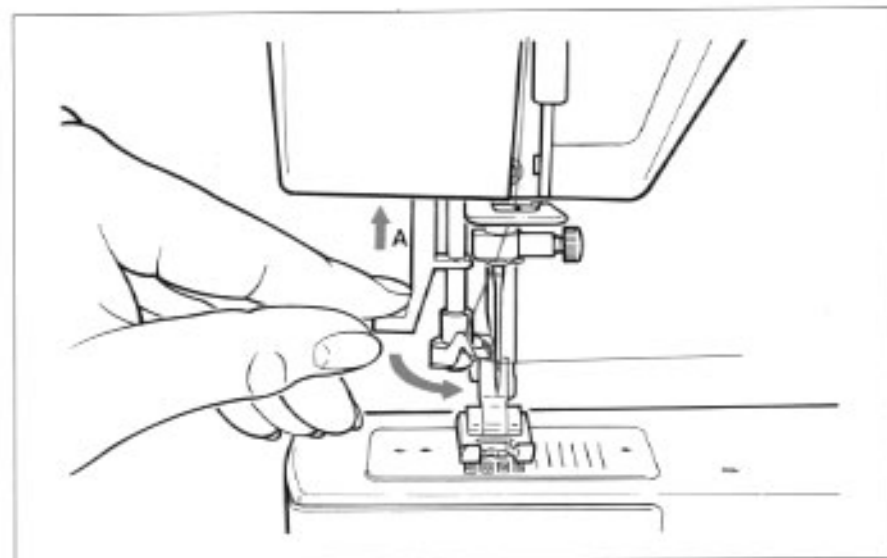
Automatic needle threader

(Model 740E only)

- Raise the needle to its highest position
- Press lever "A" right down
- The threader automatically swings to the threading position "B"
- Take the thread round the hook "C"
- Take the thread in front of the needle round the hook "D" from bottom to top
- Release lever "A"
- Pull the thread through the needle eye.



Attention:
Turn power switch to "0"!



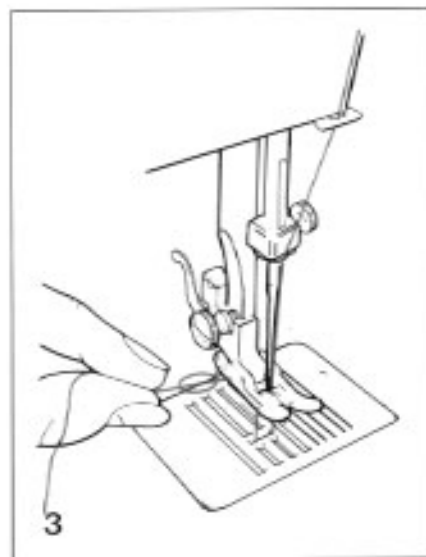
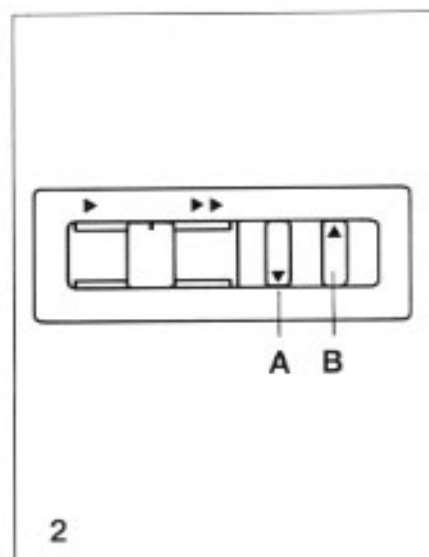
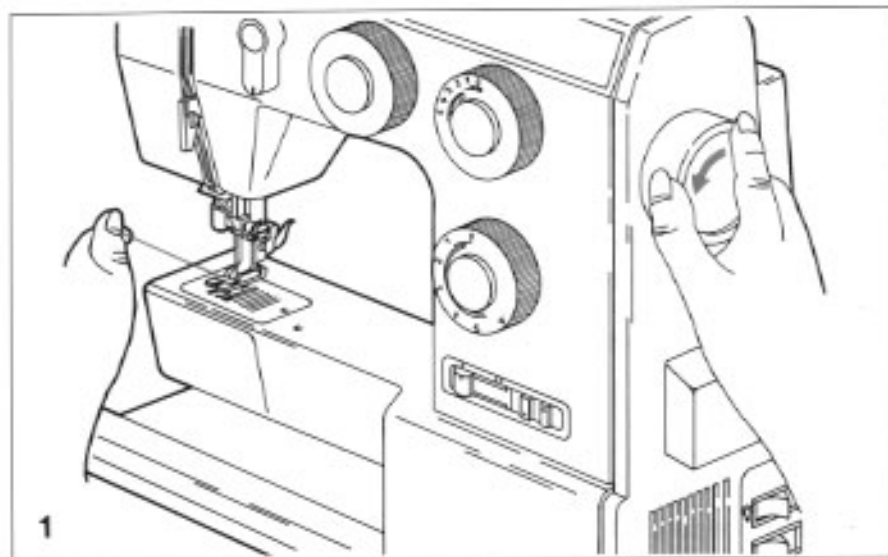
Bringing up the lower thread

(Model 740E only)

The lower thread can be brought up by using the needle stop function or by tapping the foot control.

- 1 Hold the upper thread in your left hand
- 2 Press button "A"
Press button "B"
- 3 Pull gently on the upper thread to bring up the lower thread. Lay both threads to the back under the presser foot.

The lower thread can also be brought up by using the handwheel: Hold the upper thread in the left hand, turn the handwheel forwards until the needle is raised and pull on the upper thread.

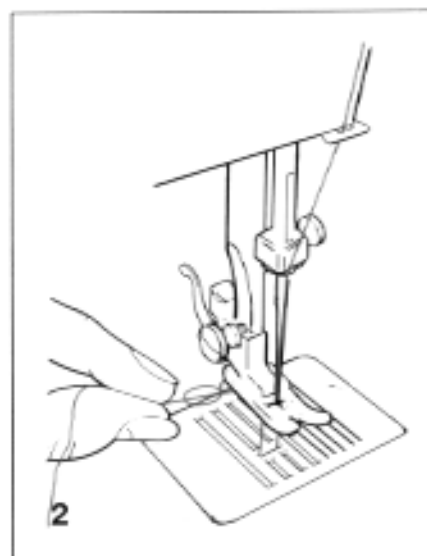
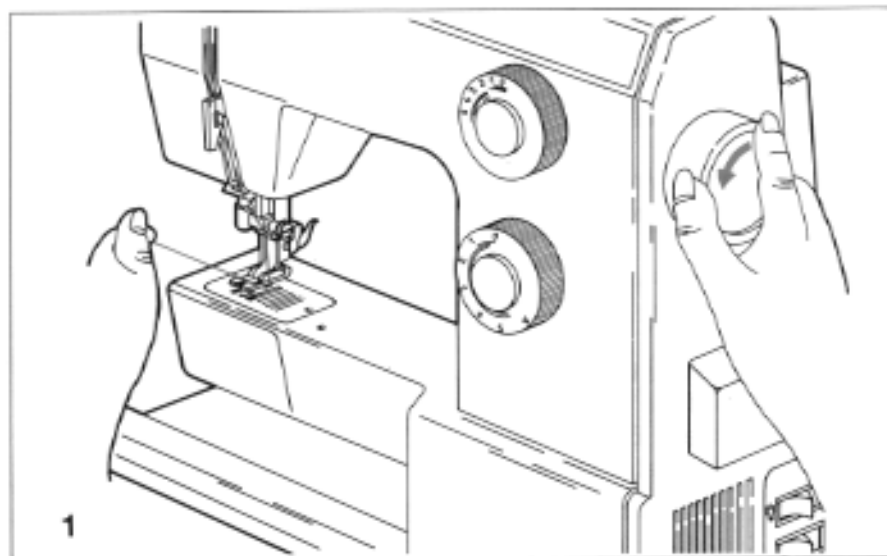


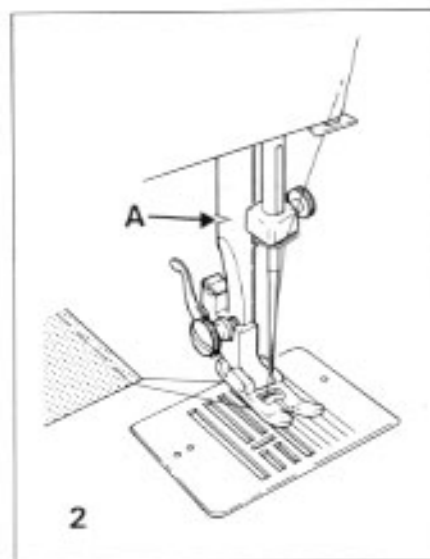
Bringing up the lower thread

(Models 715, 730)

Hold the upper thread with the left hand. Turn the handwheel forwards until the needle is raised. (1)

Pull on the upper thread to bring the lower thread up through the stitch plate hole. Lay both threads to the back under the presser foot. (2)





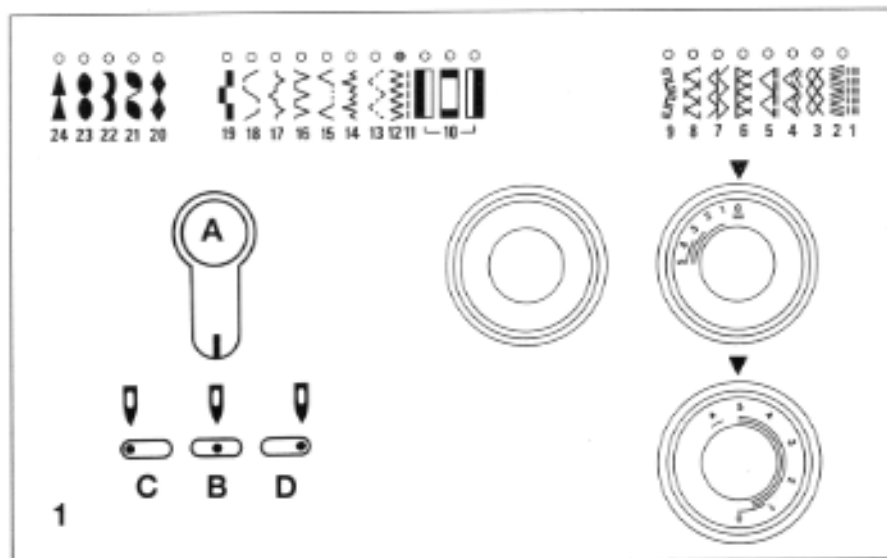
Reverse sewing

At the end of the seam, press the Reverse sewing button. Sew a few reverse stitches. Release the button and the machine will sew forwards again. (1)

Removing the work

Turn the handwheel forwards to bring the thread take-up lever to its highest position, raise the presser foot and remove work towards the back. (2)

Cutting the thread:
Hold the threads behind the presser foot with both hands, guide them to the slit "A" and press down.



Three needle positions

(Model 740E only)

Turn the stitch selection dial to straight stitch. (1)

The needle position can be altered with the lever "A". For normal work, the needle position is Centre. For edge stitching or sewing parallel lines of top stitching, select needle position Left or Right.

B Needle position: C (all normal work)

C Needle position: L (edge stitching, etc.)

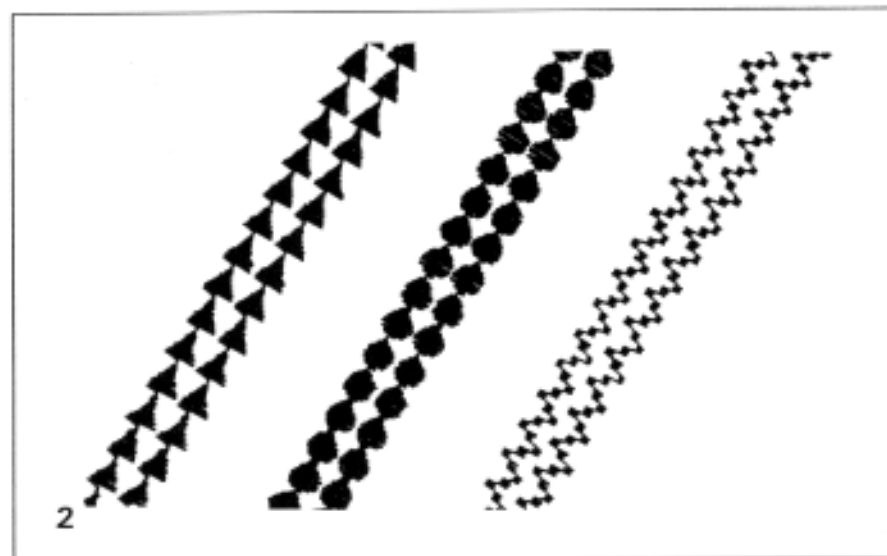
D Needle position: R (top stitching, etc.)

Seams in jersey can be sewn and neatened in one operation. Attractive effects can be obtained in woven fabrics, depending on the type of stitch.

Always sew on the right side of the fabric with a Twin needle.

Attention:

Use needle position "Centre" only. The stitch width should not be more than 3. For safety's sake, turn the handwheel to check that the needle does not go into the stitch plate.



Sewing with a Twin needle

(Model 740E only)

For visible seams in jerseys, decorative work, pintucks. (2)

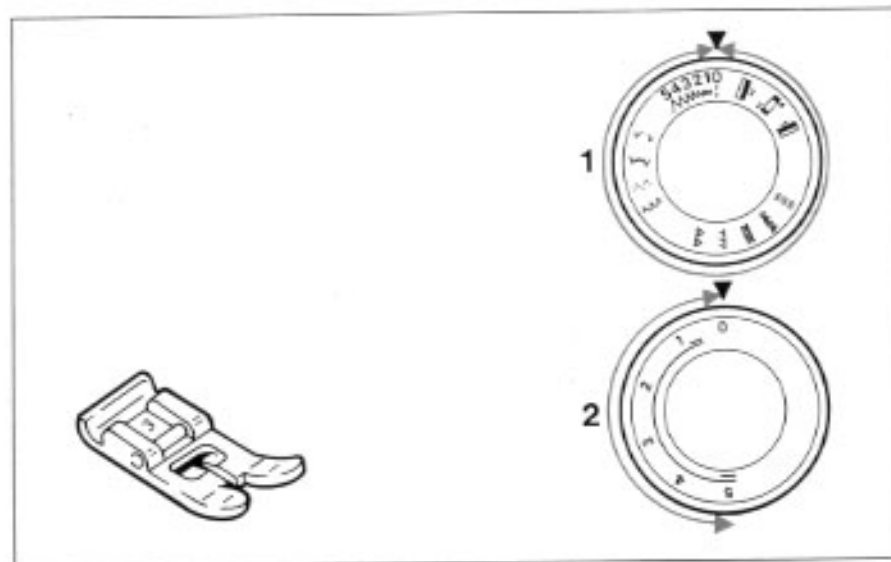
Attention:

Turn power switch to "0"

Insert the Twin needle, thread both threads, see Illustration Page 30, thread needle eyes separately.

Colour coded stitch selection

(Model 715)



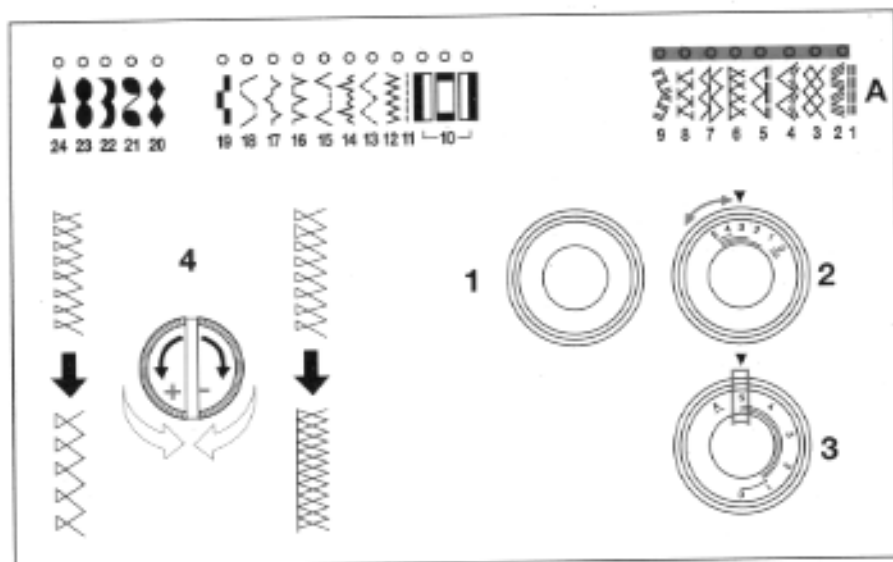
Turn the stitch selection dial to the desired position. (1)

Note the colour of the chosen stitch.

Turn the stitch length dial in the range of the same colour. (2)

The stitch length can be adjusted within the same coloured area.

The stitch width is given (with the exception of Zig-zag).



LED Display

(Model 740E only)

Stitch selection with light diode and colour code.

Colour code Green and Blue.

Turn the stitch selection dial (1) until the green diode lights up at the stitch desired.

Note the colour of the chosen stitch.

Colour indicator

(Model 730 only)

Stitch selection with coloured marking and colour code. Adjustments as described.

Turn the stitch width dial (2) and the stitch length dial to the same colour code.

Stitch width and length can be adjusted within the same area of colour.

Colour code Red and Yellow

Turn the stitch length dial (3) to the position if you want to select "red"/"yellow" stitches.

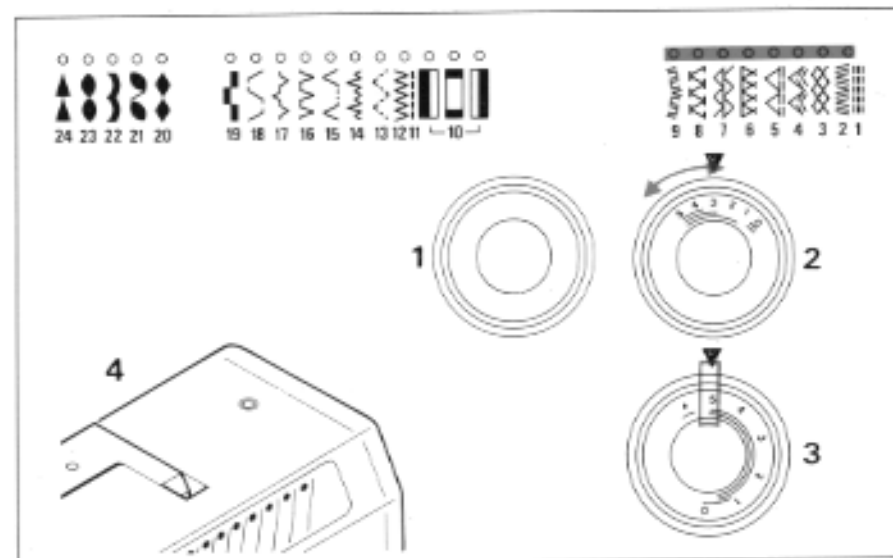
The stitch length is given automatically.

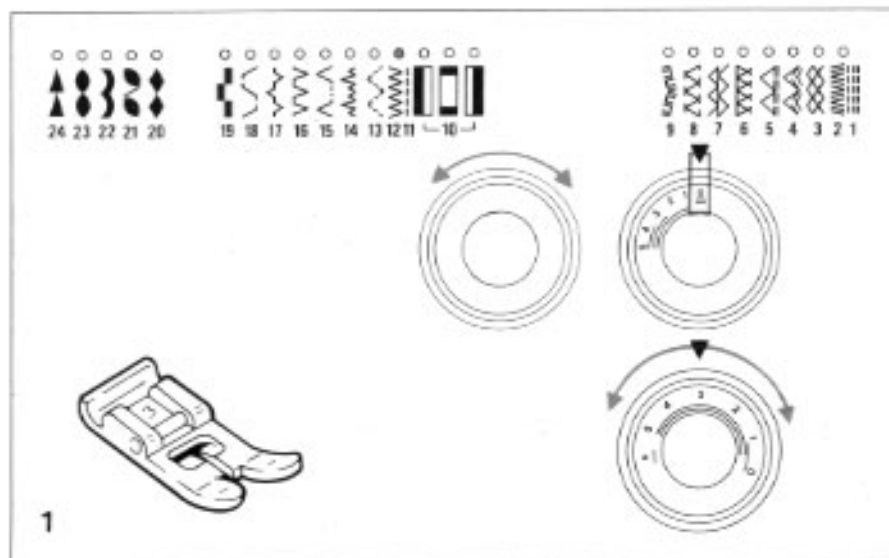
Turn the stitch selection dial (1) until the red diode lights up at the stitch desired.

Note the colour of the chosen stitch. Turn the stitch width dial (2) to the same colour code. The stitch width can be adjusted within the red marked area.

Stitch Balance (4) for stitches A:
+ lengthen
- shorten

(model 740E only)





Straight stitch

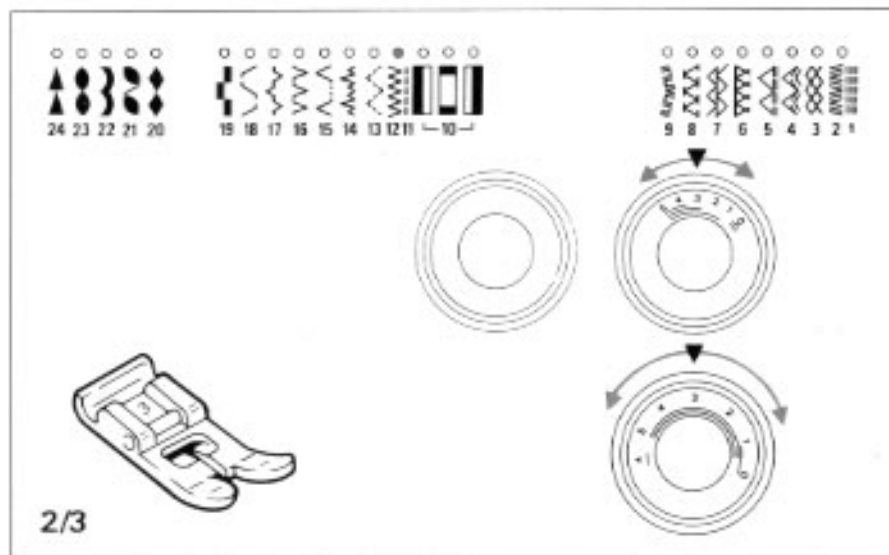
Set the machine as illustrated.

Rule of thumb: The thicker the fabric, the thread and needle, the longer the stitch should be. (1)

Zig-zag

Adjust the stitch width. (2)

Adjust to the zig-zag width desired. (3)



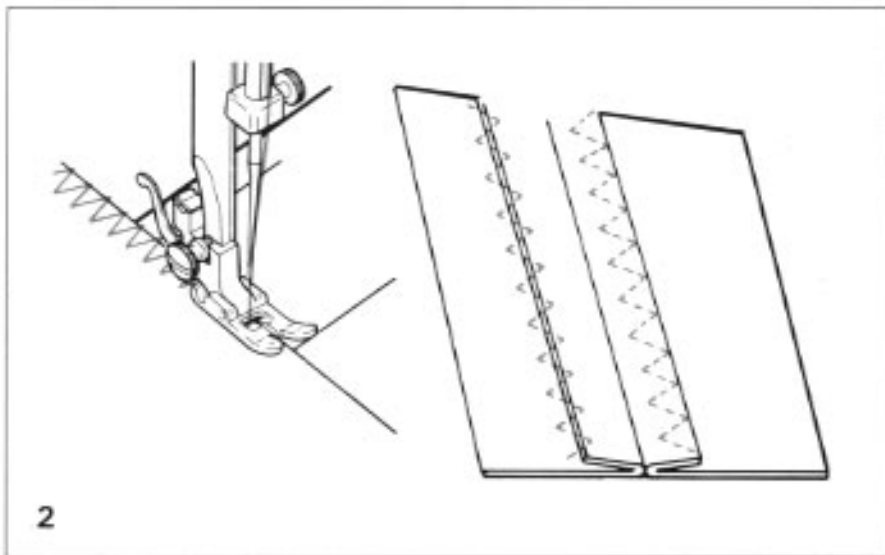
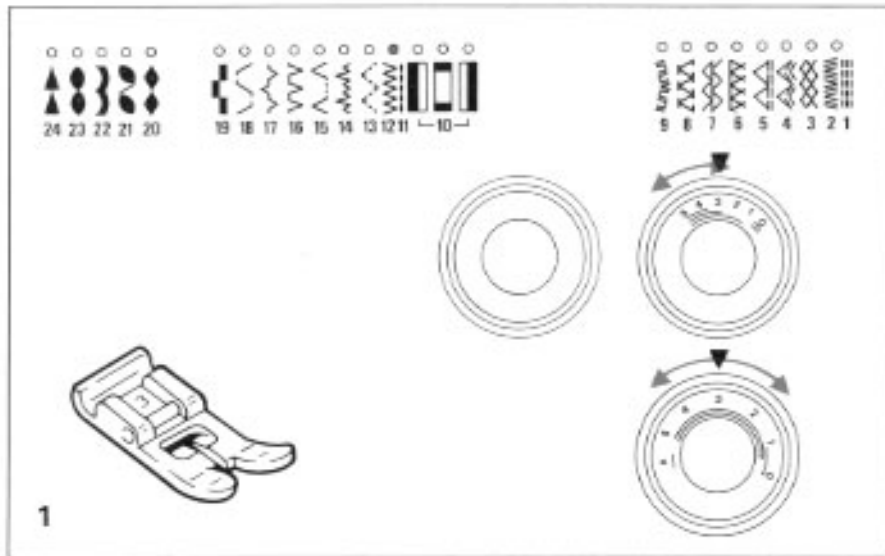
Neatening edges

Set the machine as illustrated. (1)

Guide the fabric so that the needle goes in just over the edge of the fabric. (2)

Attention:

Use Foot No. 8 for fabrics which tend to pucker. Select Zig-zag and stitch width 4-5.



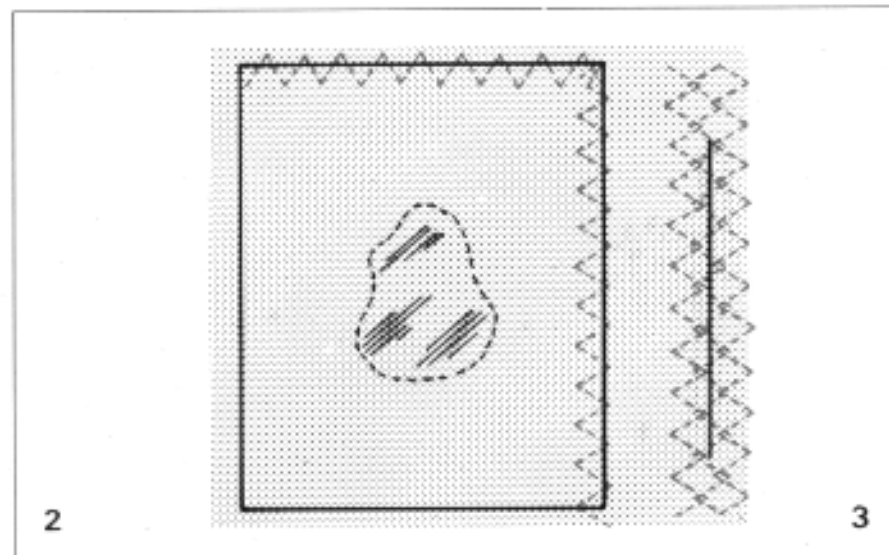
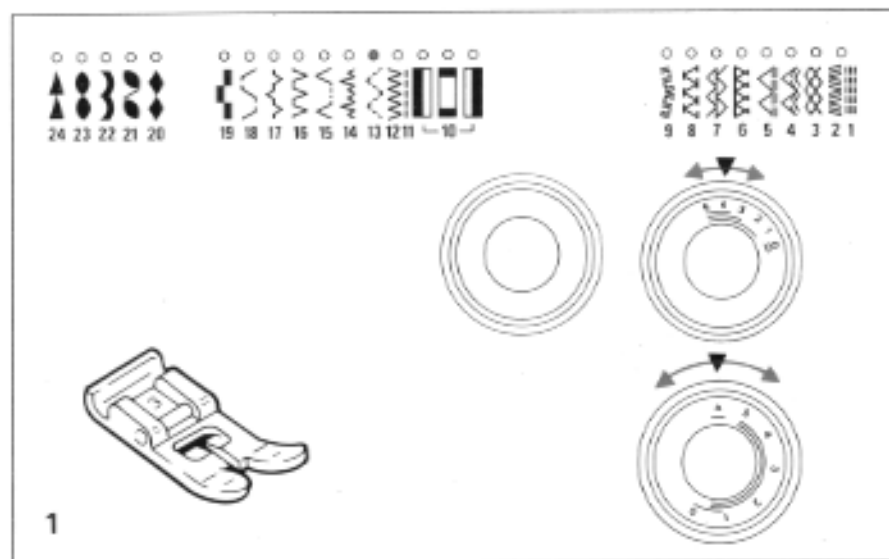
3-Step Zig-zag

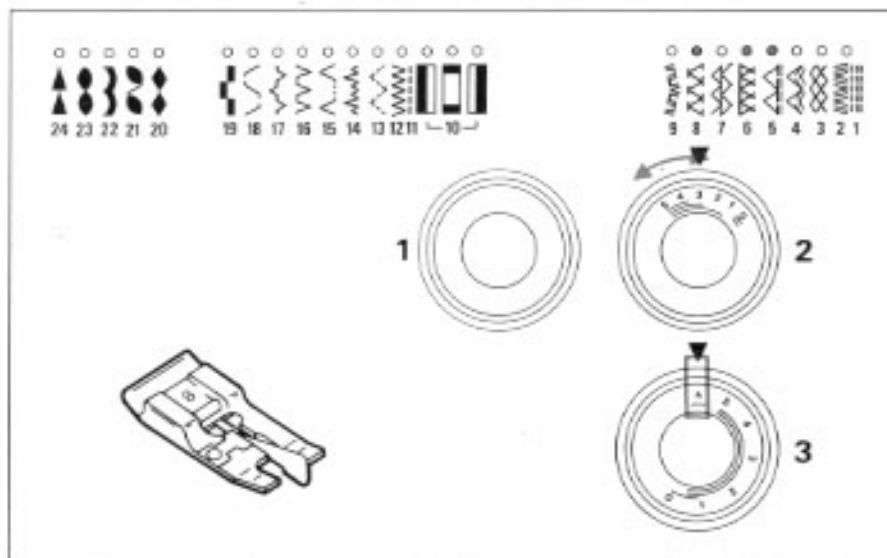
Sewing on lace and elastic, darning,
mending, reinforcing edges.

Set the machine as illustrated. (1)

Place patch in position. The stitch
length can be shortened to produce
very close stitches. (2)

When mending tears, it is advisable
to use a piece of backing fabric to
reinforce. The stitch density can be
varied by adjusting the stitch length.
First sew over the centre and then
overlap on both sides. Depending on
the type of fabric and damage, sew
between 3 and 5 rows. (3)





Overlock stitches

Seams, neatening, visible hems.

Turn stitch length dial (3) to "A".

Turn the stitch selection dial until the red diode lights up at the desired stitch.

The stitch width (2) can be adjusted to suit the fabric. (4-5)

Standard overlock

(Model 740E only)

For fine knits, jerseys, neck edges, ribbing.

Double overlock stitch

(Model 740E only)

For fine knits, handknits, seams.

Overlock stitch

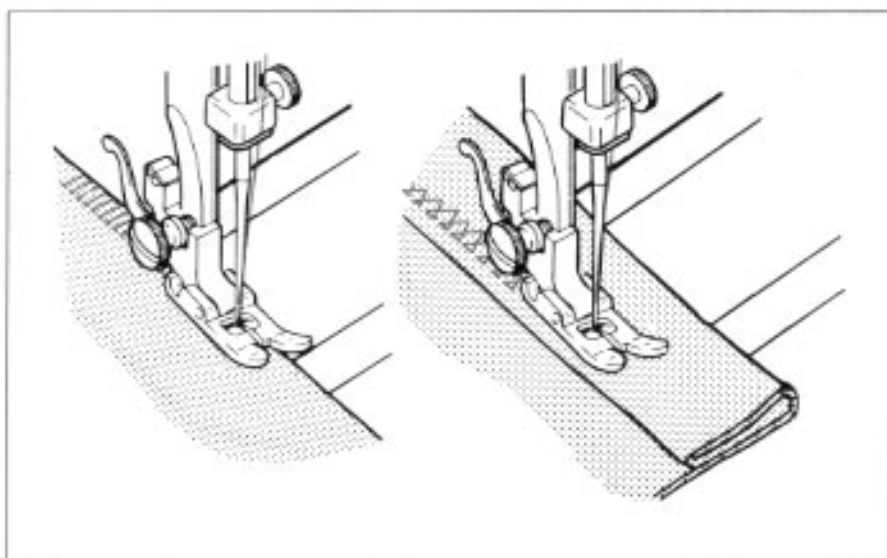
For fine knits, jerseys, neck edges, ribbing.

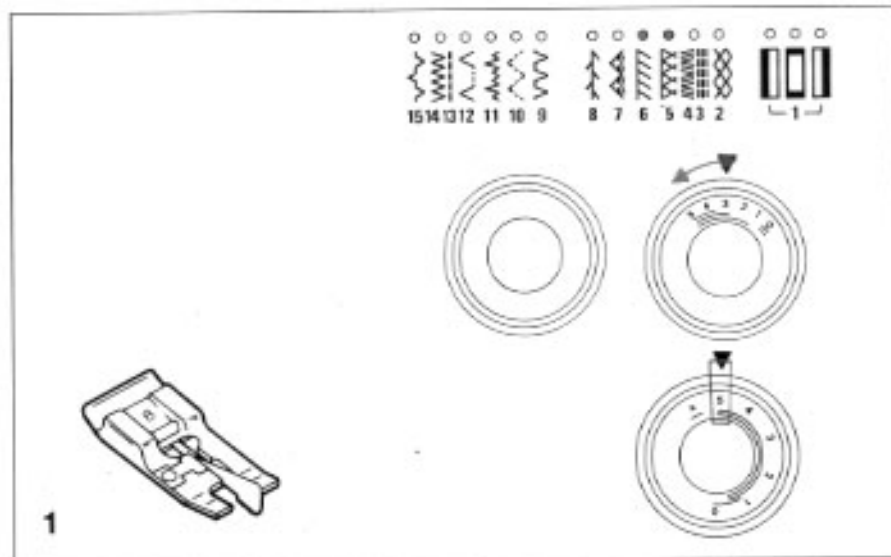
All overlock stitches are suitable for sewing and neatening edges and visible seams in one operation.

When neatening, the needle should just go over the edge of the fabric.

Attention:

Use new needles or ball point needles!





Overlock

(Model 730)

Stretch overlock

(Model 730)

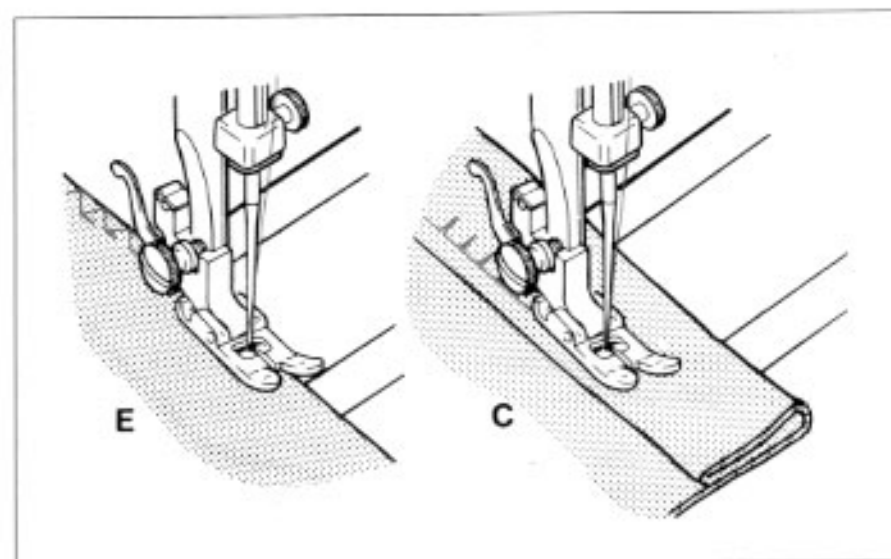
Seams, neatening edges, visible hems.

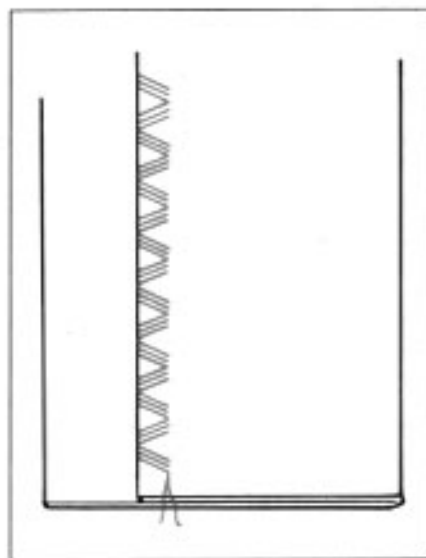
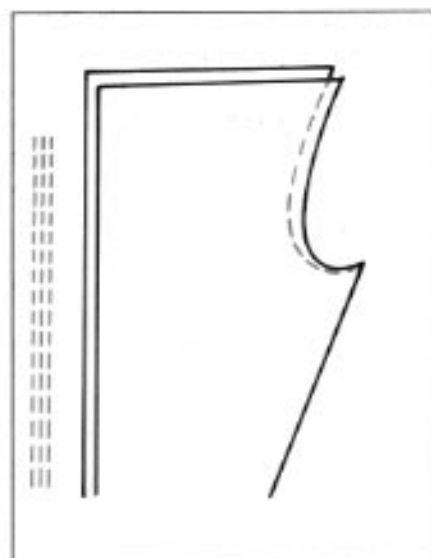
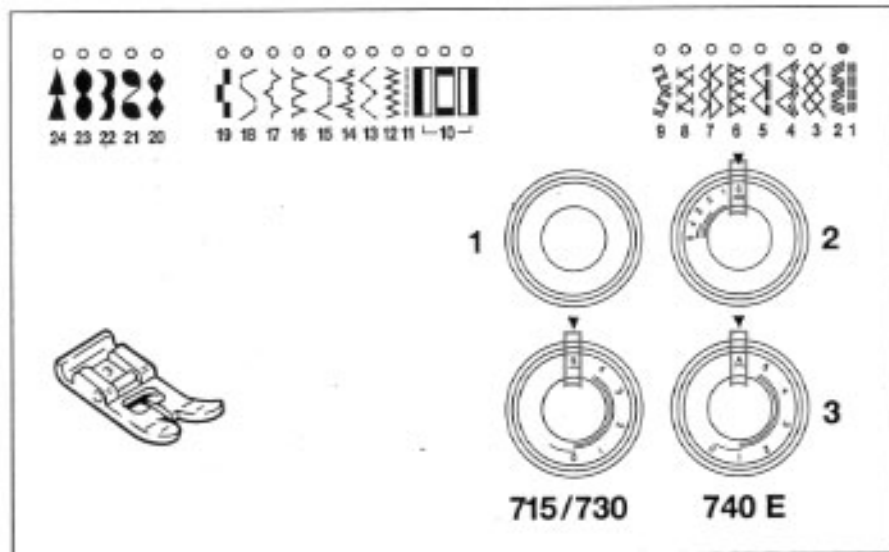
Set machine as illustrated. (1)

E for fine fabrics

C for thick fabrics

Both stitches are suitable for sewing and neatening edges and visible hems in one operation. When neatening, the needle should just go over the edge of the fabric.





Stitch selection

Triple straight stitch

(Models 730/740E only).

For hardwearing seams.

Turn the stitch length dial (3) to "A".

Turn the stitch selection dial (1) until the red diode lights up as illustrated. Turn the stitch width dial (2) to "0".

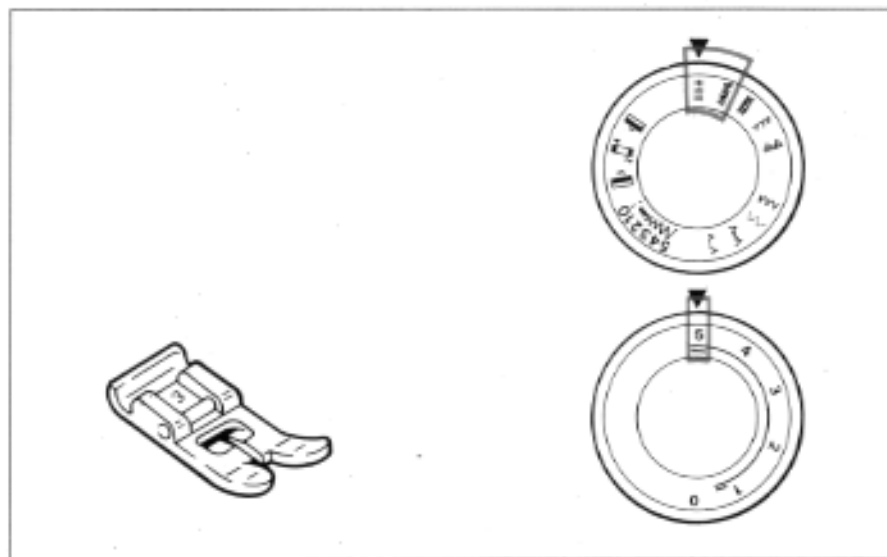
The machine sews two stitches forwards and one stitch backwards. This gives triple reinforcement.

Triple zig-zag

For hardwearing seams, hems and decorative seams.

Turn the stitch length dial (3) to "A". Adjust the stitch width dial (2) to between 3 and 5.

Triple zig-zag is suitable for firm fabrics like denim, corduroy, etc.



Stitch selection

Triple straight stitch

(Model 715 only)

For hardwearing seams.

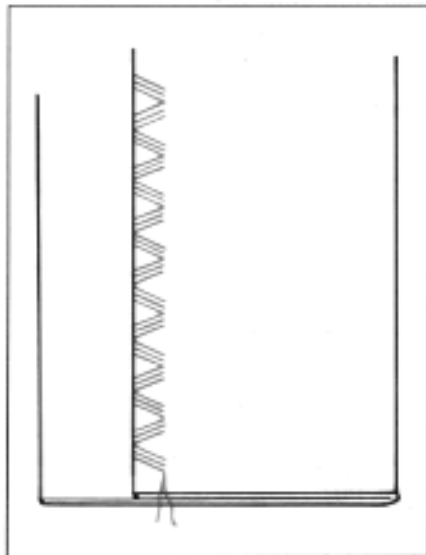
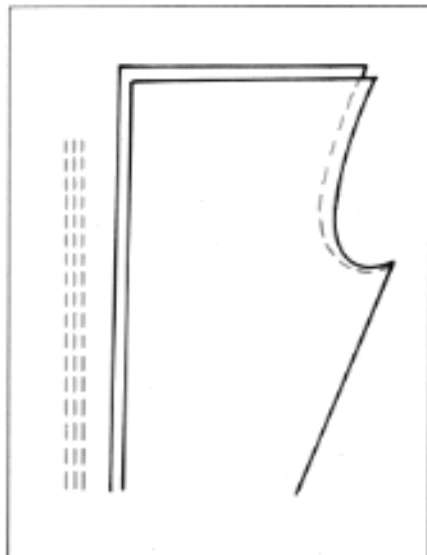
Set the machine as illustrated. The machine sews two stitches forward and one stitch backwards. This gives triple reinforcement.

Triple zig-zag

(Model 715 only)

For hardwearing seams, hems and decorative seams.

Triple zig-zag is ideal for firm fabrics such as denim, corduroy, etc.



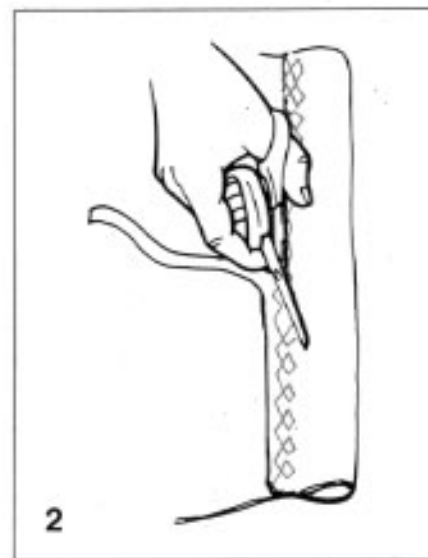
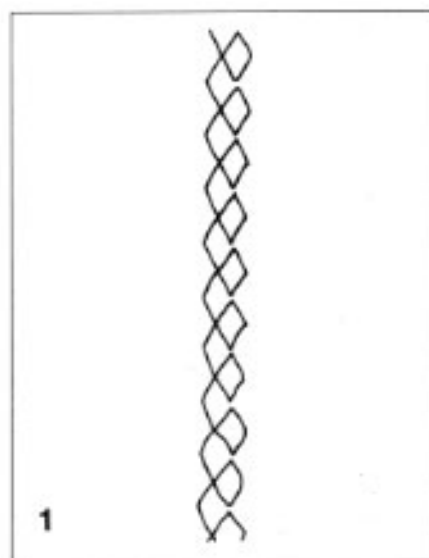
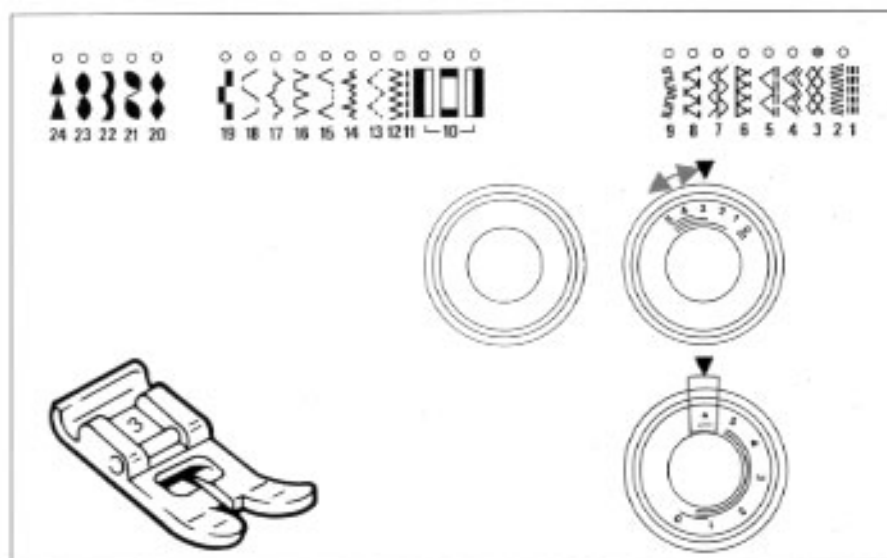
Smocking stitch

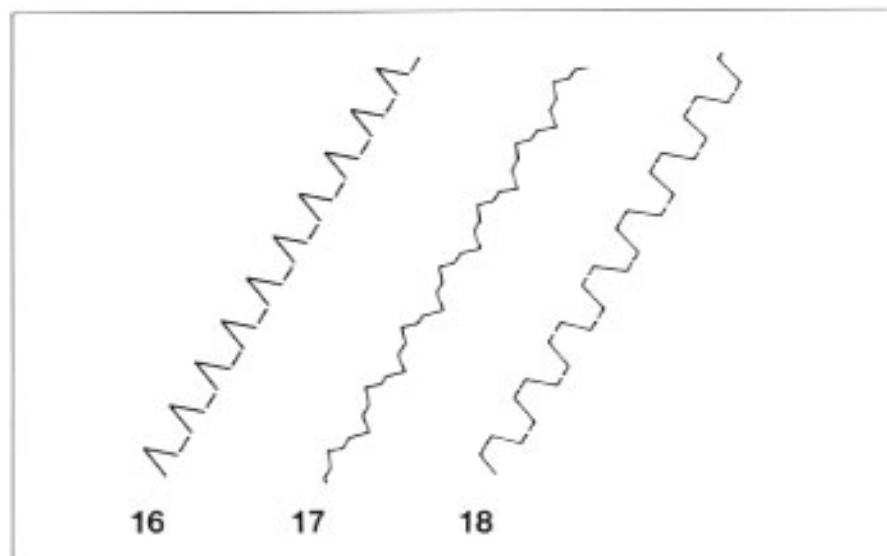
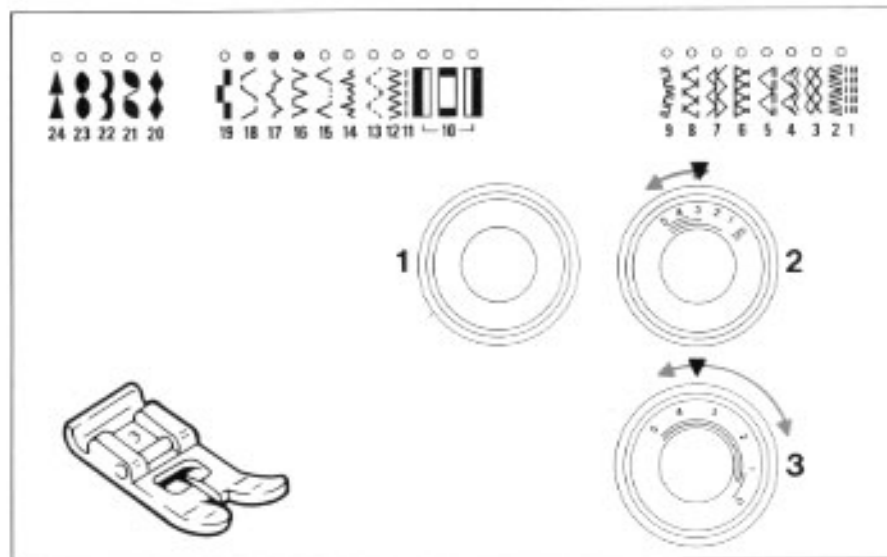
(Models 730/740E only)

Seams, hems, T-shirts, underwear, etc.

Set the machine as illustrated. This stitch can be used for all types of jersey as well as for woven fabrics. (1)

Sew at 1 cm (1/4") from the fabric edge and trim the surplus fabric. (2)





Practical stitches

Set the machine as illustrated. Turn the stitch selection dial (1) until the green diode lights up at the desired stitch.

This stitch can be used for firm, thicker fabrics.

Turn the stitch width dial (2) and stitch length dial (3) to the same colour code and adjust to suit the fabric.

Shell hem 16

For decorative edges.

Suitable for edges on sheer, fine and stretch fabrics. The larger stitch should go just over the edge of the fabric to create the shell effect.

Bridging 17

(Models 730/740E only)

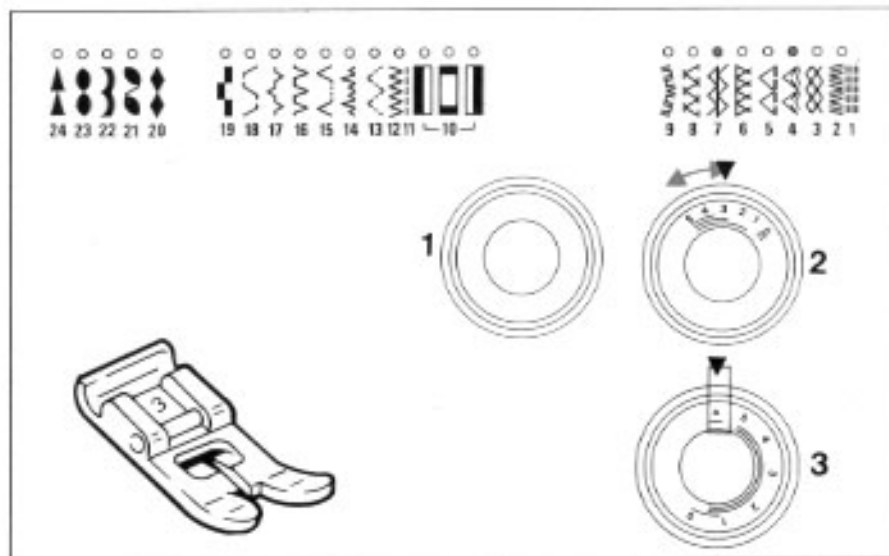
For seams, place mats, tablecloths.

Decorative joining seam for a fagoted effect. Gathering with cord or shirring elastic.

Rampart 18

(Model 740E only)

For flat joining seams, sewing on elastic, visible hems.



Practical stitches

Set the machine as illustrated.

Turn the stitch selection dial (1) until the red diode lights up at the desired stitch. Turn the stitch length dial (3) to "A". The stitch width dial (2) can be adjusted to between 3 and 5.

Elastic overlock 4

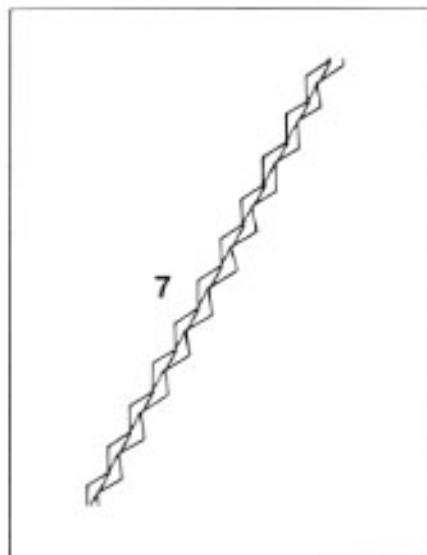
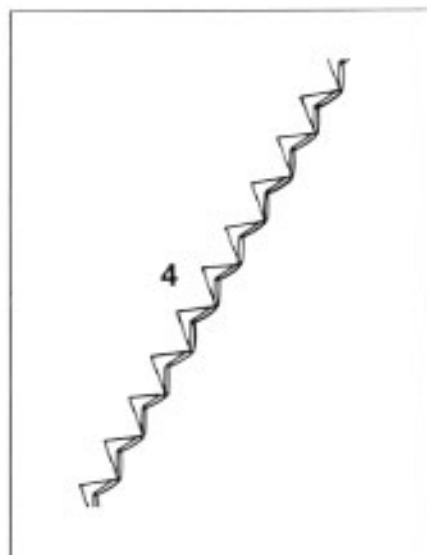
(Not for Model 715)

For hems, decorative seams. Suitable for hems or decorative seams in stretch fabrics.

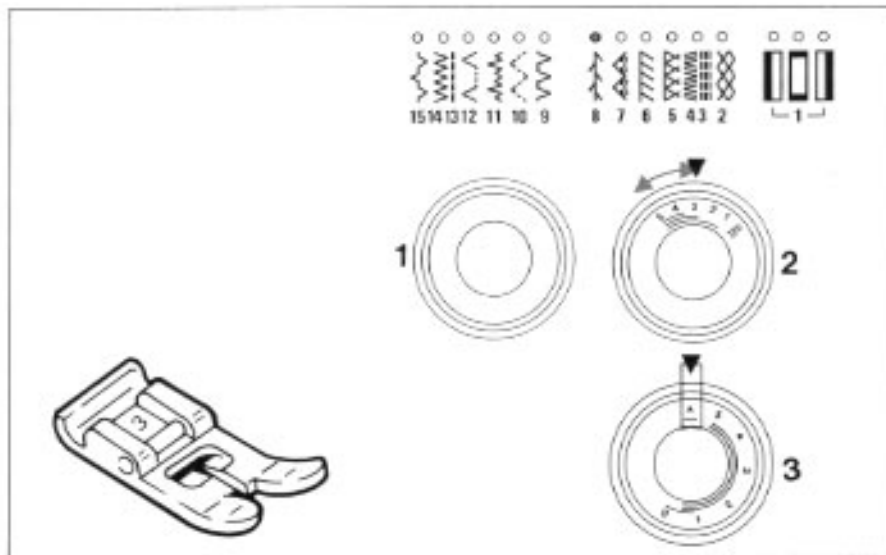
Double arrow 7

(Only for Model 740E)

For seams and hems. This stitch is suitable for sewing and neatening stretch fabrics and as a decorative seam in thicker fabrics.



Practical stitches



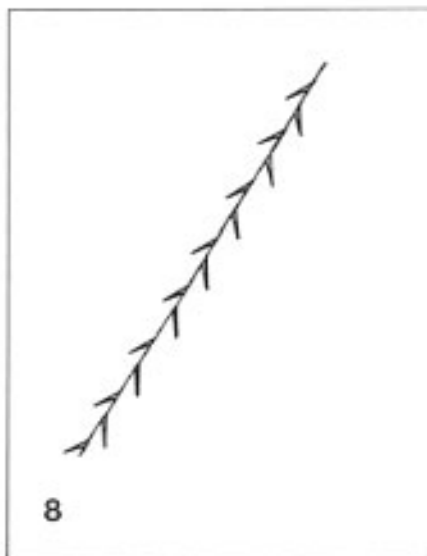
Set the machine as illustrated.
Turn the stitch selection dial (1) until the red diode goes on at the stitch desired.

Turn the stitch length dial (3) to "A" and adjust the stitch length dial (2) to between 3 and 5.

Feather stitch 8

(Model 730 only)

Joining seams, decorative seams.
For seams in stretch fabrics, joining seams in fine and thick fabrics.



Decorative stitches

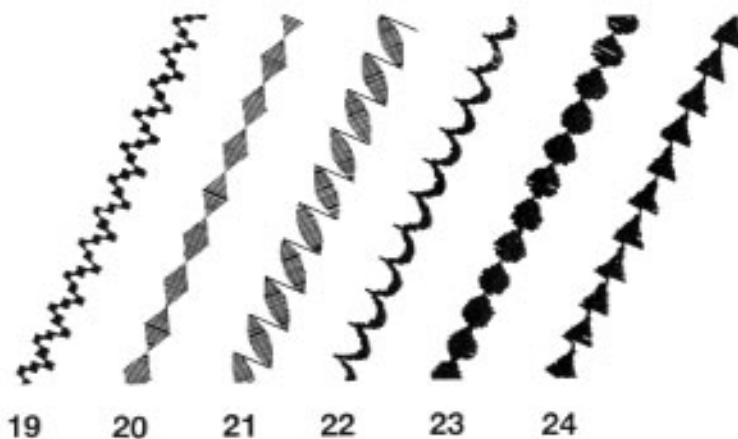
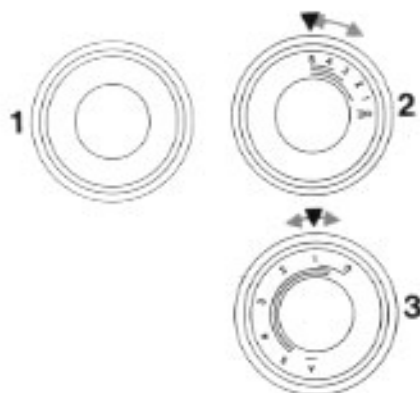
(Model 740E only)

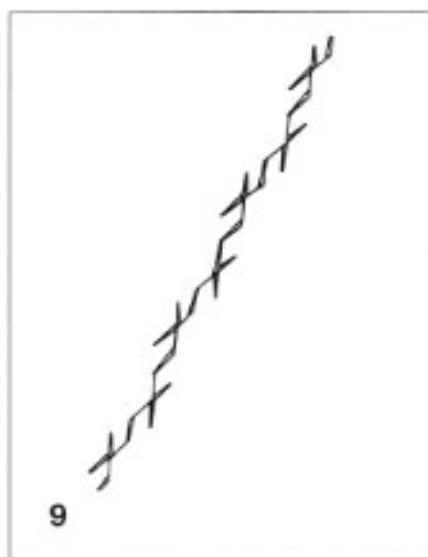
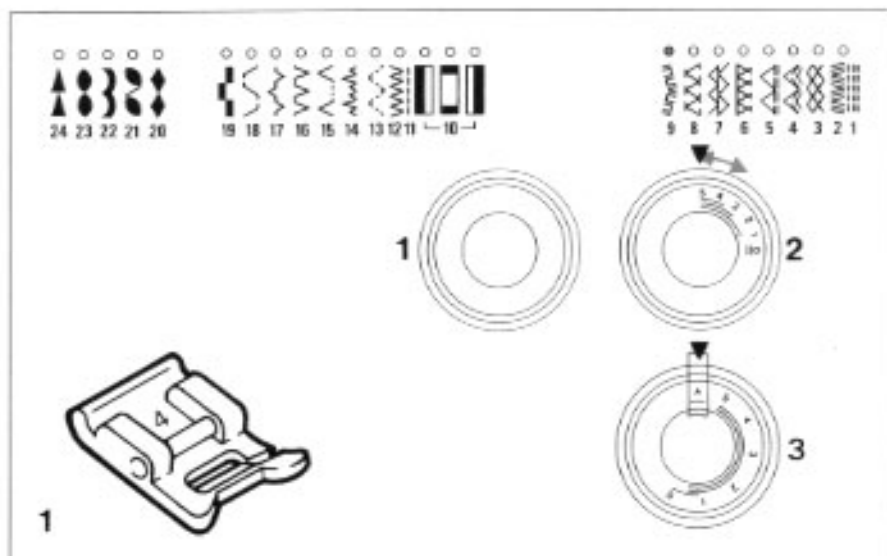
For edges, tablecloths, bed linen,
cuffs, embroidery.

- 19 Square stitch
- 20 Diamond stitch
- 21 Ribbon
- 22 Scallop
- 23 Double scallop
- 24 Triangle long

Turn the stitch length dial (1) until the green diode lights up at the stitch desired. For an attractive, decorative effect, adjust the stitch width (2) to maximum and the stitch length according to the desired effect. For better results, use a paper or tear-away backing.

Embroidery thread adds to the effect.





Decorative stitches

(Model 740E only)

Edges, tablecloths, bed linen, cuffs, embroidery.

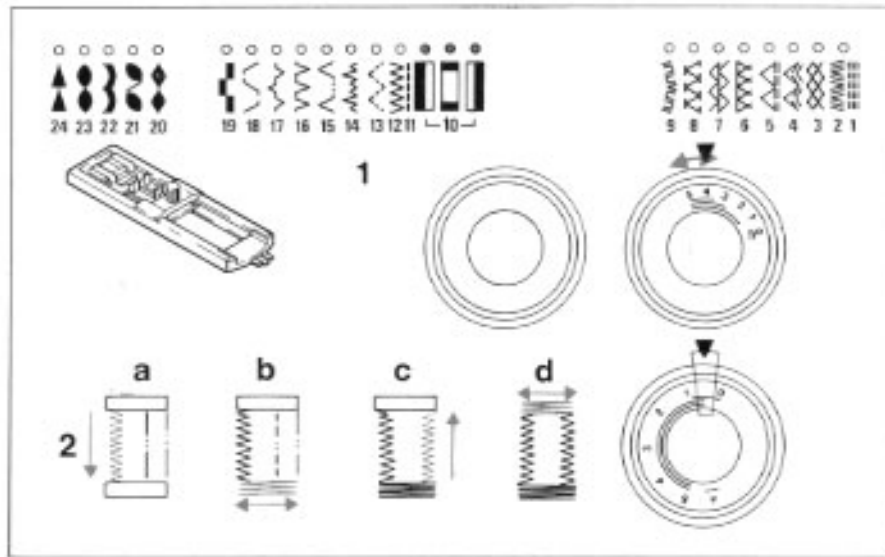
Cross stitch 9

Turn the stitch selection dial (1) until the red diode lights up at the stitch desired. Cross stitch: Turn the stitch length dial (3) to "A".

For an attractive, decorative effect, adjust the stitch width (2) to maximum and the stitch length according to the desired effect. For better results, use a paper or tear-away backing.

Embroidery thread adds to the effect.

Buttonholes



Set the machine as illustrated. (1)
(Adjust the stitch length dial in the green marked area for a correct stitch density – varies according to the fabric). Always test sew a buttonhole.

Follow the sequence. (2)

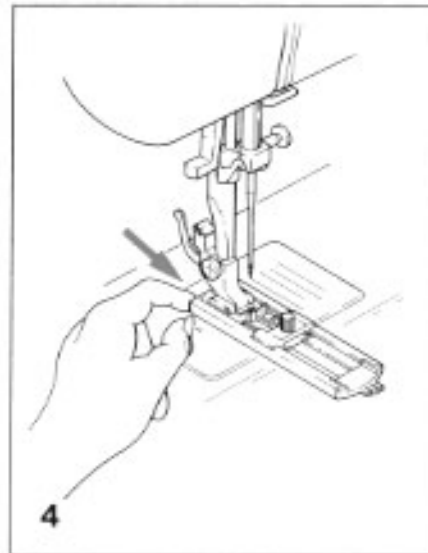
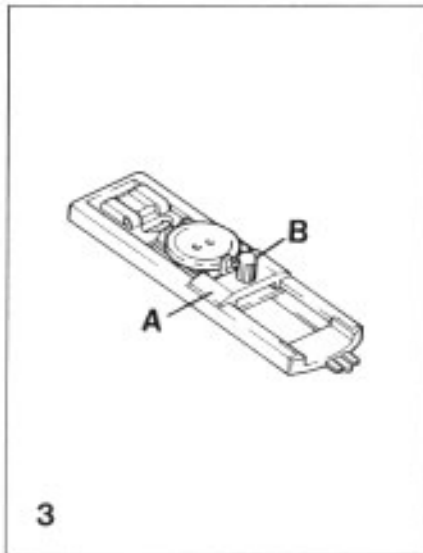
Position the button on the foot as illustrated. Loosen the large screw "B" of the part "A" and slide it towards the button until it lightly touches the other edge, then re-tighten screw "B". Remove the button and attach the Buttonhole foot. The gauge is now set for sewing perfectly even length buttonholes. (3)

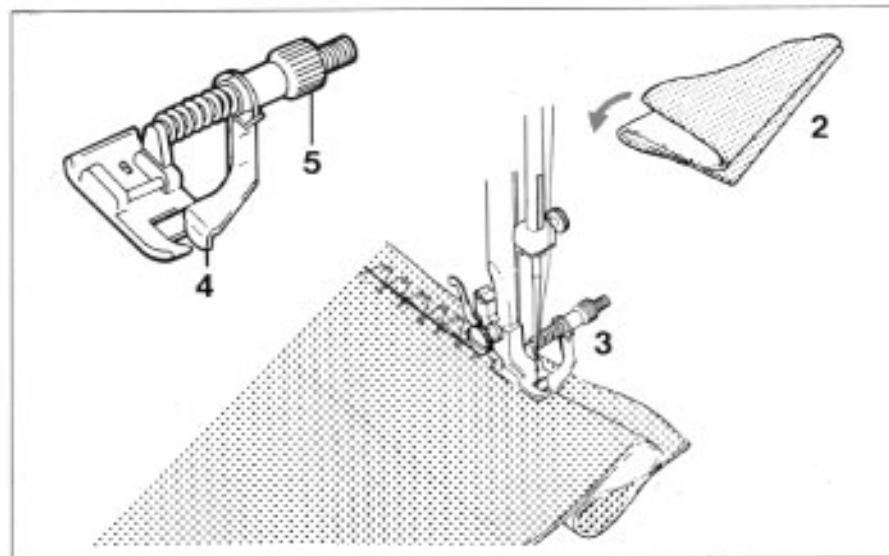
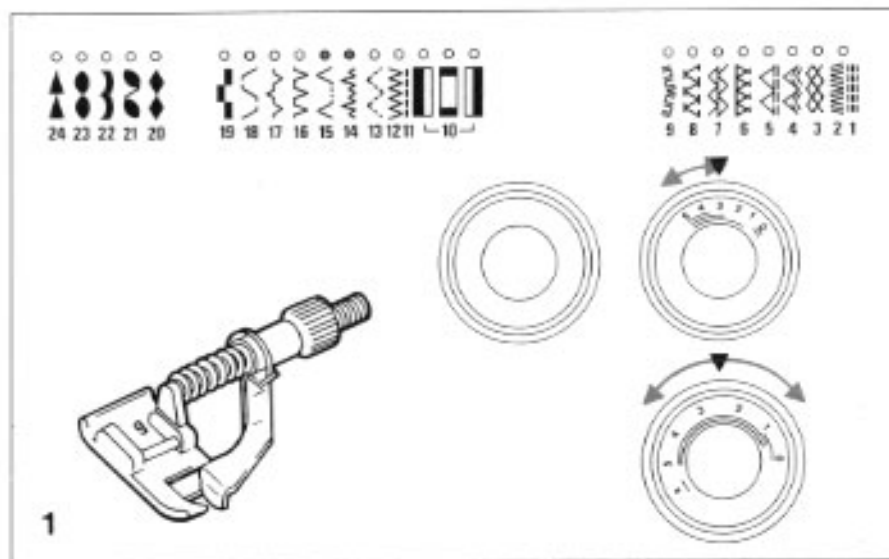
When starting to sew the buttonhole, the gauge on the foot should be pushed fully forwards. (4)

Use the seam ripper and cut buttonhole open from both ends towards the middle.

Tips:

- A slightly reduced upper thread tension produces better results.
- Use a backing for fine or stretchy fabrics.
- It is advisable to use gimp cord for stretch or knit fabrics. The zig-zag should sew over the gimp.





Blind hem/lingerie stitch

For hems, curtains, trousers, skirts, etc.

- 14 Blind hem for stretch fabrics.
- 15 Blind hem/lingerie for firm fabrics.

Set the machine as illustrated. (1)

Note:

It takes practice to sew blind hems. Always make a sewing test first.

Fold the fabric as illustrated with the wrong side uppermost. (2)

Place the fabric under the foot. Turn the handwheel forwards by hand until the needle swings fully to the left. It should just pierce the fold of the fabric. If it does not, adjust the stitch width accordingly. (3)

Adjust the guide (4) by turning the knob (5) so that the guide just rests against the fold.

Sew slowly, guiding the fabric carefully along the edge of the guide.

Turn the speed control to *Minimum!*

Darning

Set the machine as illustrated. Lower the feed dog. (1)

Remove the presser foot clamp. (2)

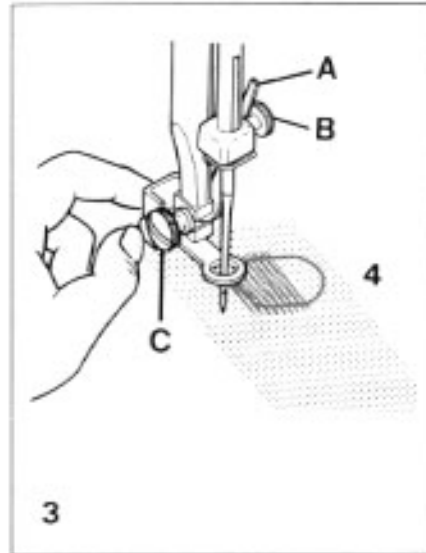
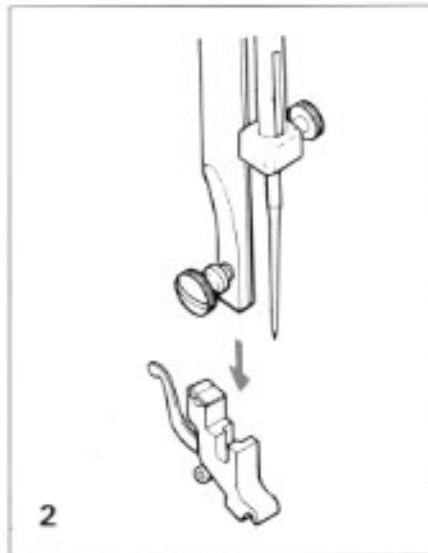
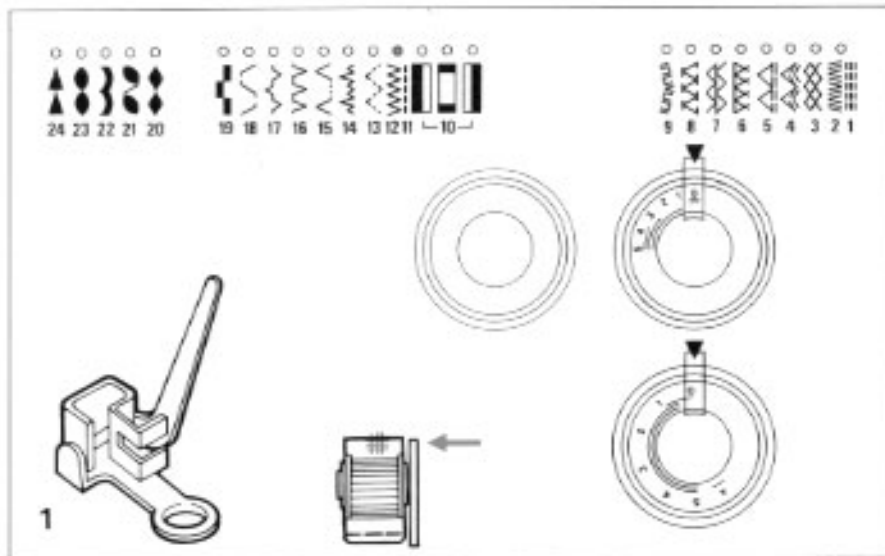
Attach the Darning foot to the presser foot holder. The lever "A" should be behind the needle clamp screw "B". Press the Darning foot on firmly from behind with your index finger and tighten the screw "C". (3)

First sew round the edge of the hole (to secure the threads). (4)

First row: Always work from left to right. Turn work by $\frac{1}{4}$ and oversew.

A darning ring is recommended for easier sewing and better results.

Note:
When darning is completed,
raise the feed dog!

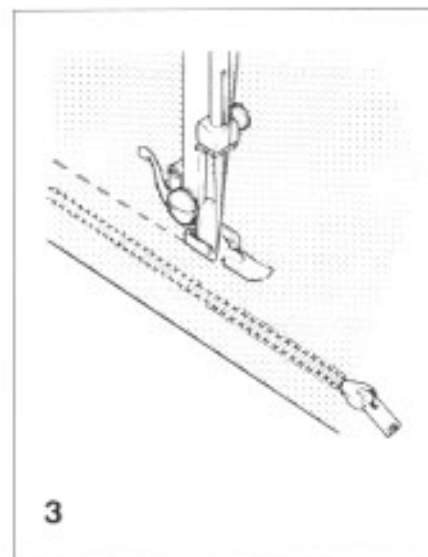
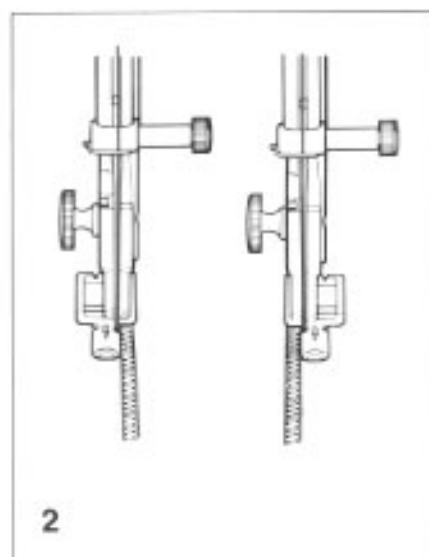
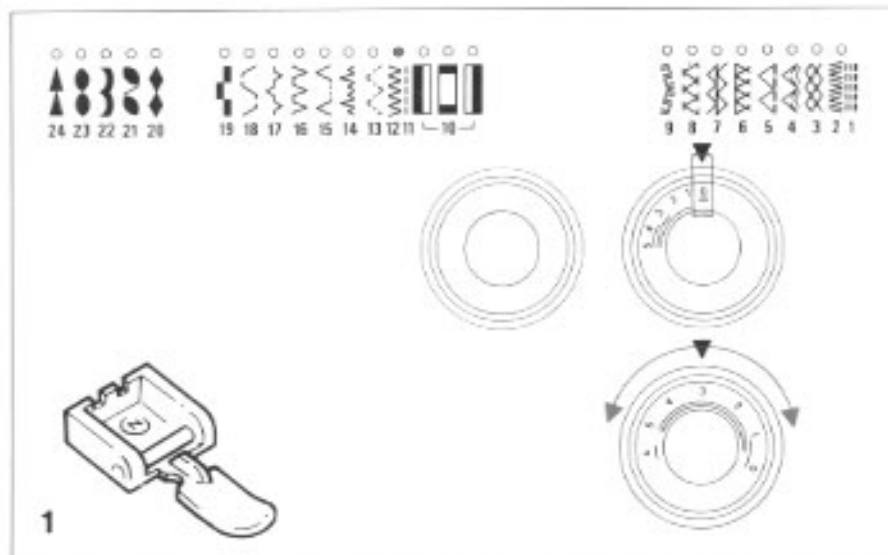


Sewing in zips

Set the machine as illustrated. (1)

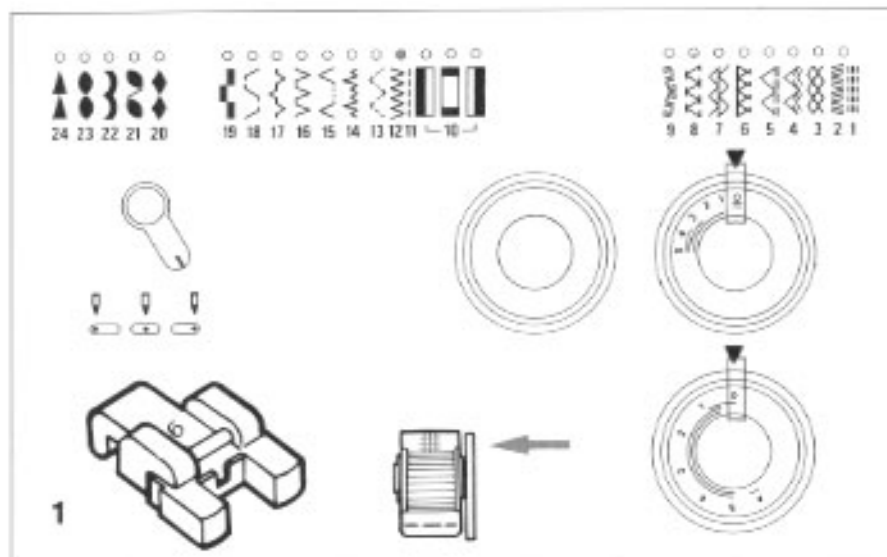
The zip foot can be inserted right or left, depending on which side of the foot you are going to sew. (2/3)

To sew past the zip pull, lower the needle into the fabric, raise the presser foot and push the zip pull behind the presser foot. Lower the foot and continue to sew.



Sewing on buttons

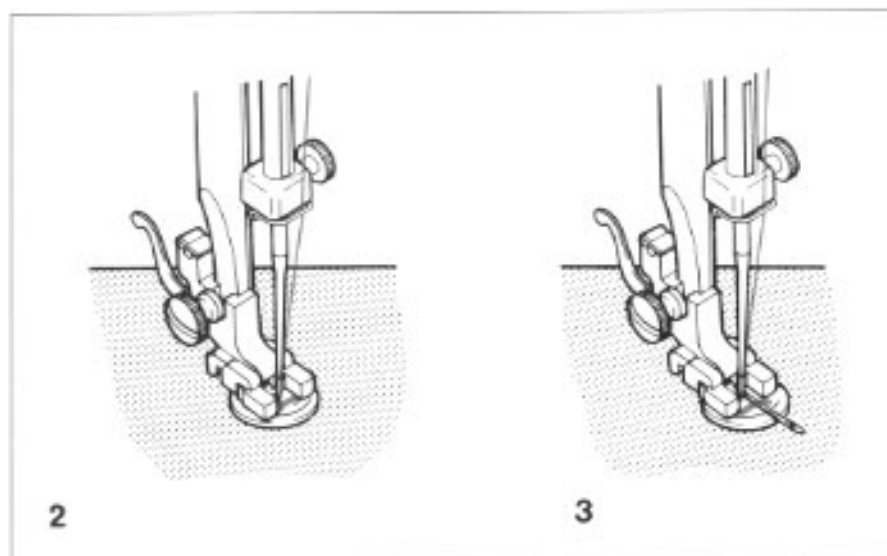
(Model 740E only)



Set the machine as illustrated. Lower the feed dog. Needle position *right*. (1)

Position the work under the foot. Place the button on the marked position, lower the foot, adjust stitch width to "0" and sew a few securing stitches. Adjust the stitch width (normally between 3 and 4). Turn the handwheel to check that the needle goes cleanly into the left hole of the button (adjust the stitch width according to the button), and sew on the button. Adjust the stitch width to "0" and sew a few securing stitches. (2)

If a shank is required, place a darning needle on top of the button and sew. (3) For buttons with 4 holes, sew through the front two holes first (Fig. 2), push work forward and then sew through the back two holes as described. (3)



Sewing with the Hemmer foot

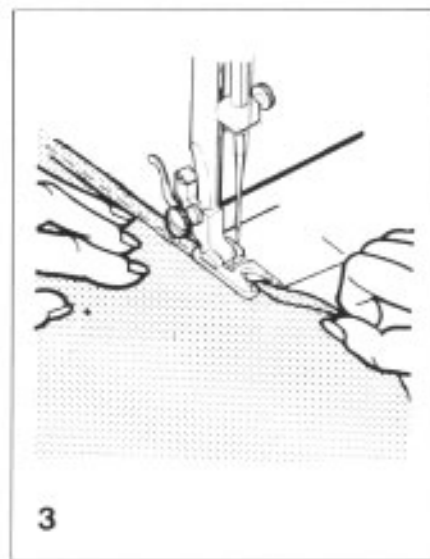
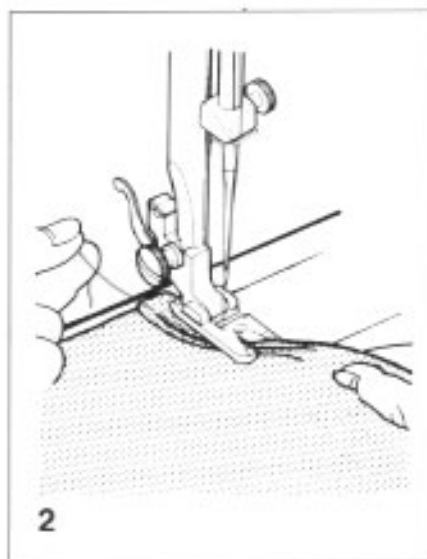
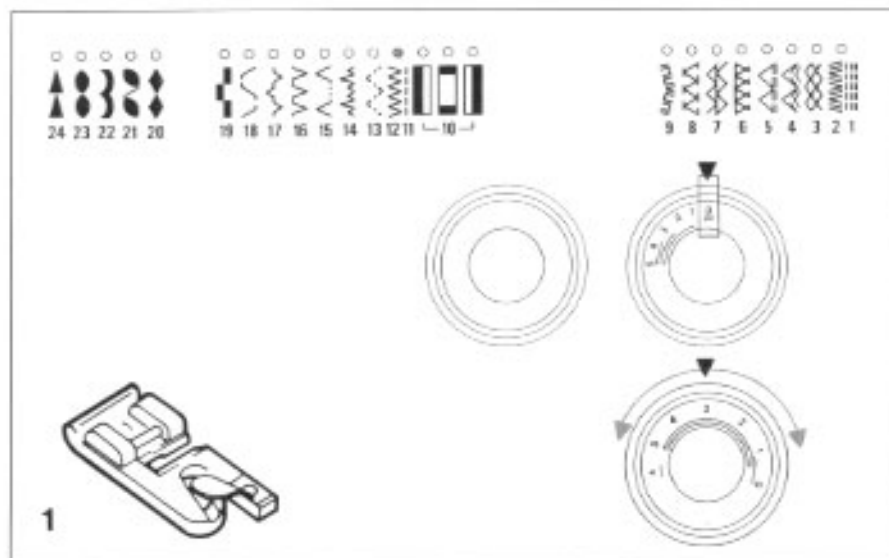
(Model 704E only)

For hems in fine or sheer fabrics.

Set the machine as illustrated. (1)

Neaten the edge of the fabric. At the beginning of the hem, turn under the edge twice by about 3 mm ($\frac{1}{8}$ ") and sew 4–5 stitches to secure. Pull the thread slightly towards the back. Insert the needle into the fabric, raise the presser foot and guide the fold into the scroll on the foot. (2)

Gently pull the fabric edge towards you and lower the presser foot. Begin sewing, guiding the fabric into the scroll by holding it upright and slightly to the left. (3)



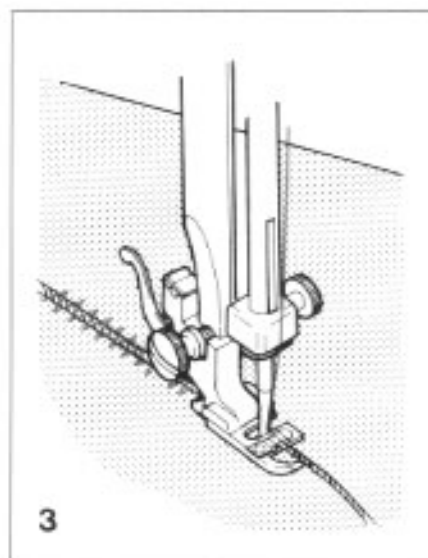
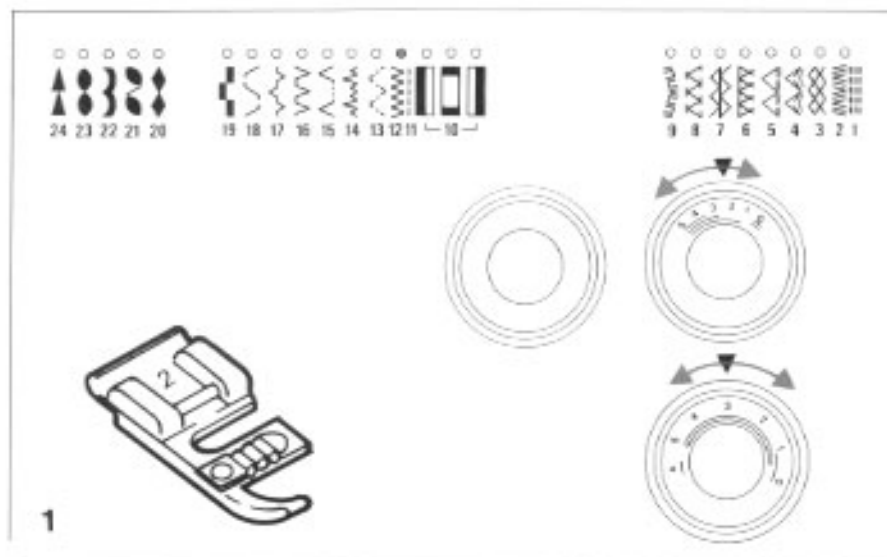
Sewing with the Cording foot

(Model 740E only)

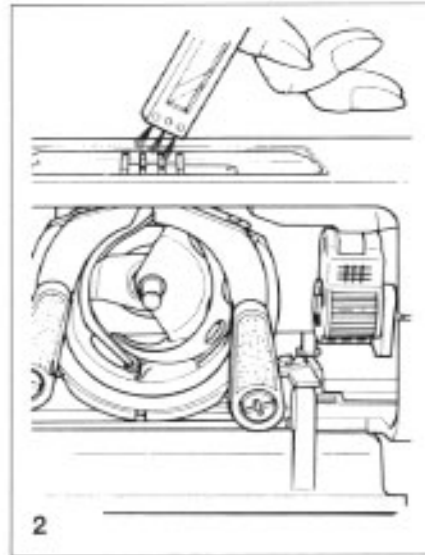
Decorative effects, cushions, tablecloths, etc.

Set the machine as illustrated. Various stitches are suitable for sewing on cord, e.g. Zig-zag, Triple zig-zag, decorative stitches. (1)

Insert the cord between the spring covering the cord groove and the foot. The cord should run in the groove. One, two or three cords can be sewn on. The stitch width is adjusted according to the number of cords and the stitch selected. (2/3)



Maintenance



Attention:

Disconnect the machine from the electricity supply by removing the plug from the mains socket. When cleaning the machine, it must always be disconnected from the electricity supply.

two hook retaining arms. Insert the bobbin case and bobbin and replace the stitch plate.

Important:

Fabric fluff and threads must be removed regularly. Your machine should be serviced at regular intervals at one of our service agencies.

Remove the stitch plate:

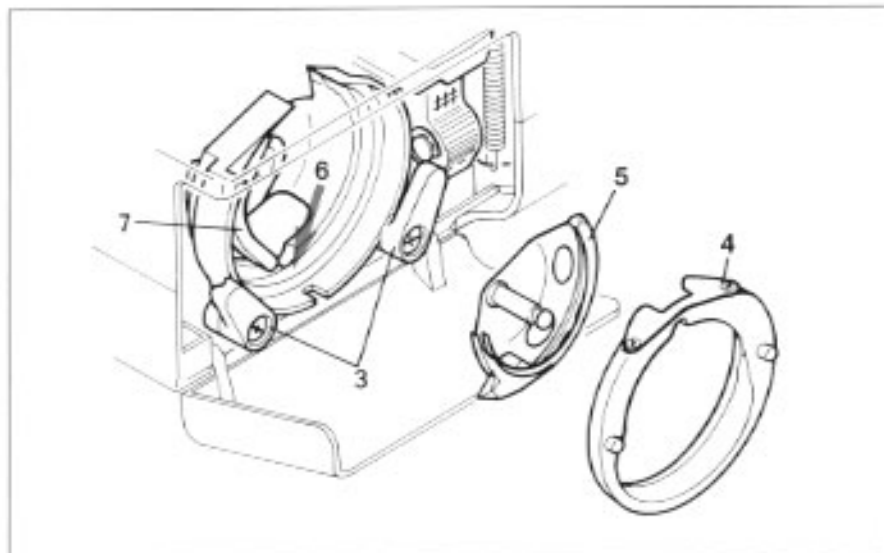
Turn the handwheel until the needle is fully raised. Open the hinged front cover and push the release lever upwards. (1)

Cleaning the feed dog:

Remove the bobbin case (see Page 26) and use the brush supplied to clean the whole area. (2)

Cleaning and lubricating the hook:

Remove the bobbin case (see Page 26). Snap the two hook retaining arms (3) outwards. Remove the hook race cover (4) and the hook (5) and clean with a soft cloth. Lubricate at the points (6) (1–2 drops) with sewing machine oil. Turn the handwheel until the hook race (7) is in the left position. Replace the hook (5). Replace the hook race cover and snap back the



Problem	Cause	Correction	
Upper thread breaks	1. The machine is not threaded correctly	1. Rethread the machine	32
	2. The thread tension is too tight	2. Reduce the thread tension (lower number)	34
	3. The thread is too thick for the needle	3. Select a larger needle	30
	4. The needle is not inserted correctly	4. Remove and reinsert the needle (flat side towards the back)	28
	5. The thread is round wound the spool holder pin	5. Remove the reel and wind thread onto reel	
	6. The needle is damaged	6. Replace the needle	28
Lower thread breaks	1. The bobbin case is not inserted correctly	1. Remove and reinsert the bobbin case and pull on the thread. The thread should pull easily	26
	2. The bobbin case is threaded wrongly	2. Check both bobbin and bobbin case	26
	3. The lower thread tension is too tight	3. Loosen lower thread tension as described	26
Skipped stitches	1. The needle is not inserted correctly	1. Remove and reinsert needle (flat side towards the back)	28
	2. The needle is damaged	2. Insert a new needle	28
	3. The wrong size needle has been used	3. Choose a needle to suit the thread and fabric	30
	4. The foot is not attached correctly	4. Check and attach correctly	22/10
Needle breaks	1. The needle is damaged.	1. Insert a new needle	28
	2. The needle is not correctly inserted	2. Insert the needle correctly (flat side towards the back)	28
	3. Wrong needle size for the fabric	3. Choose a needle to suit the thread and fabric	30
	4. The wrong foot is attached	4. Select the correct foot	22/10
Loose stitches	1. The machine is not correctly threaded	1. Check the threading	32
	2. The bobbin case is not correctly threaded	2. Thread the bobbin case as illustrated	26
	3. Needle/fabric/thread combination is wrong	3. The needle size must suit the fabric and thread	30
	4. Thread tension wrong	4. Correct the thread tension	34
Seams gather or pucker	1. The needle is too thick for the fabric	1. Select a finer needle	30
	2. The stitch length is wrongly adjusted	2. Readjust the stitch length	
	3. The thread tension is too tight	3. Loosen the thread tension	34
Uneven stitches, uneven feed	1. Poor quality thread	1. Select a better quality thread	
	2. The bobbin case is wrongly threaded	2. Remove bobbin case and rethread and insert correctly	26
	3. Fabric has been pulled	3. Do not pull on the fabric while sewing, let it be taken up by the machine	
The machine is noisy	1. The machine must be lubricated	1. Lubricate as described	90
	2. Fluff or oil have collected on the hook or needle bar	2. Clean the hook and feed dog as described	90
	3. Poor quality oil has been used	3. Only use good quality sewing machine oil	90
	4. The needle is damaged	4. Replace the needle	28
The machine jams	1. Thread is caught in the hook	1. Remove the upper thread and bobbin case, turn the handwheel backwards and forwards by hand and remove the thread remnants. Lubricate as described	90

